

Article datasheet

Wire Saddle for $\varnothing 5.0\text{mm}$ Polyamid 6.6 natural

Article-No.: 072.71.151



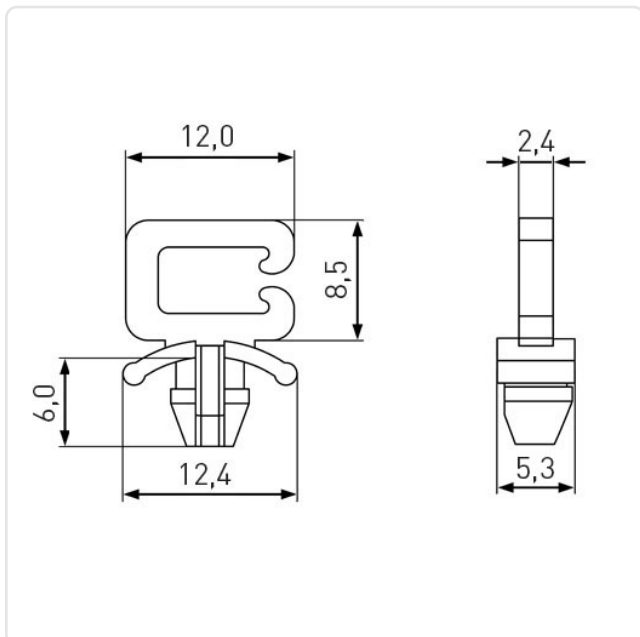
Image may be similar

Bundle Diameter [mm]: 2,0-5,0
 Color: Natural
 Height [mm]: 16
 Material: PA 6.6
 Material Group: Plastic
 Mounting Hole [mm]: 4.8
 Panel Thickness [mm]: 0,4-1,8 mm
 Width [mm]: 12.4
 Weight: 0.35g
 Conformities:



You can find all information on the web on our article detail page

[Wire Saddle for \$\varnothing 5.0\text{mm}\$ Polyamid 6.6 natural](#)



Would you like individual advice?

We look forward to your email to products@ettinger.de.

Subject to change and errors.