

Article datasheet

Spiral Wrap Ø6.3 | 4.8-12.7 PE natural | 30m reel

Article-No.: 014.75.231

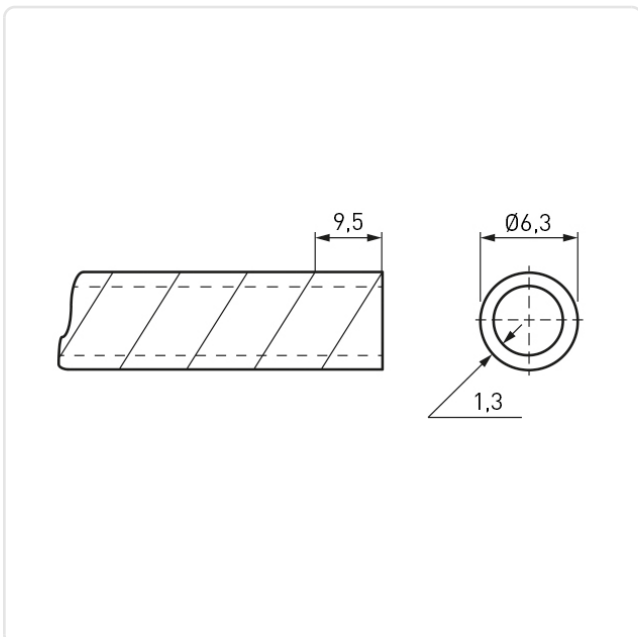


Image may be similar

Bundle Diameter [mm]: 4,8-12,7
 Color: Natural
 Flammability Class: UL94-V0
 Material: PE - Polyethylene
 Material Group: Plastic
 Outer Diameter [mm]: 6.3
 Reel Length [m]: 30
 Temperature Range [°C]: -60 °C to +88 °C
 Wall Thickness [mm]: 1,3
 Weight: 640g
 Conformities:



You can find all information on the web on our article detail page [Spiral Wrap Ø6.3 | 4.8-12.7 PE natural | 30m reel](#)



Would you like individual advice?

We look forward to your email to products@ettinger.de.

Subject to change and errors.