

Article datasheet

Split Washer DIN127 B Ø5.1/9.2 x 1.2 Black Spring Steel

Article-No.: 003.63.050



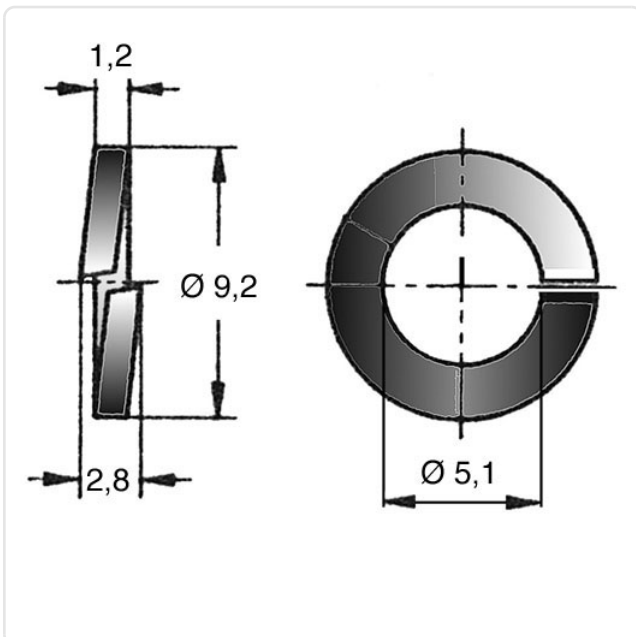
Image may be similar

DIN/ISO:	DIN127B
Finish:	Galvanized, Black, 5 µm, A2R
For Thread Size:	M5
Height [mm]:	1.2
Inner Diameter [mm]:	5.1
Material:	Spring Steel
Material Group:	Steel
Outer Diameter [mm]:	9.2
Weight:	0.37g
Conformities:	<div style="display: flex; gap: 10px;"> <div style="border: 1px solid black; padding: 2px; text-align: center;">Reach COMPLIANT ✓</div> <div style="border: 1px solid black; padding: 2px; text-align: center;">RoHS COMPLIANT ✓</div> <div style="border: 1px solid black; padding: 2px; text-align: center;">SVHC COMPLIANT ✓</div> </div>



You can find all information on the web on our article detail page

[Split Washer DIN127 B Ø5.1/9.2 x 1.2 Black Spring Steel](#)



Would you like individual advice?

We look forward to your email to products@ettinger.de.

Subject to change and errors.