

Article datasheet

## Pan Head Screw ISO7045 M2.5x4 Steel 4.8 Nickel Plated Cross Recessed

Article-No.: 001.17.203

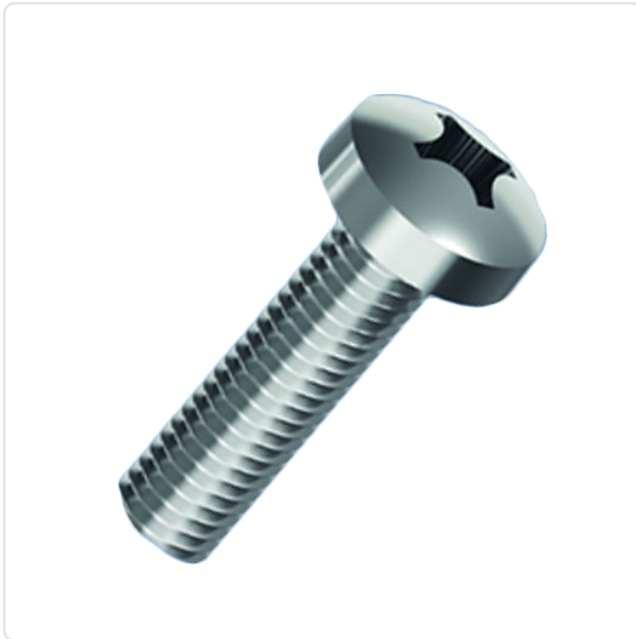
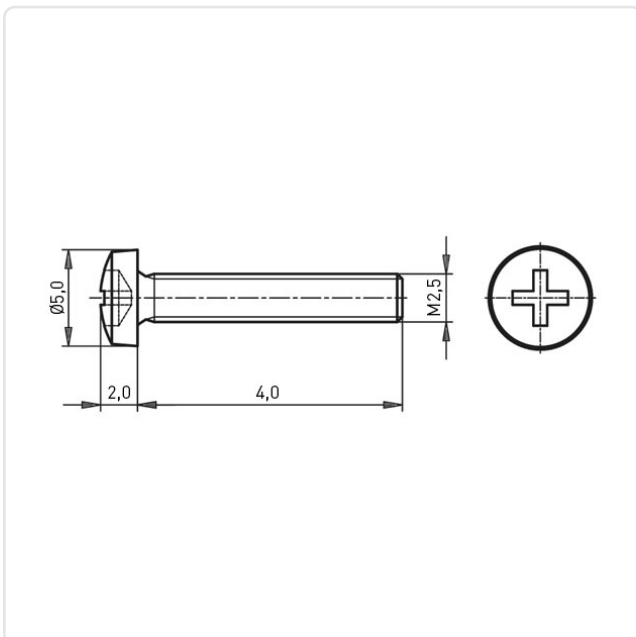


Image may be similar

Actuator Size:	Phillips PH1
DIN/ISO:	ISO7045
Drive Type:	Cross Recess / Phillips-H
Finish:	Nickel-Plated, 3 µm, E1E
Head Diameter [mm]:	5
Head Height [mm]:	2
Head Shape:	Pan Head
Length [mm]:	4
Material:	Steel 4.8
Material Group:	NULL
Thread Size:	M2.5
Weight:	0.34g
Conformities:	



You can find all information on the web on our article detail page

[Pan Head Screw ISO7045 M2.5x4 Steel 4.8 Nickel Plated Cross Recessed](#)

Would you like individual advice?

We look forward to your email to [products@ettinger.de](mailto:products@ettinger.de).

Subject to change and errors.