

Article datasheet

## Cheese Head Screw ISO1207 M3x20 Galvanized Steel 4.8 Slotted

Article-No.: 001.14.371

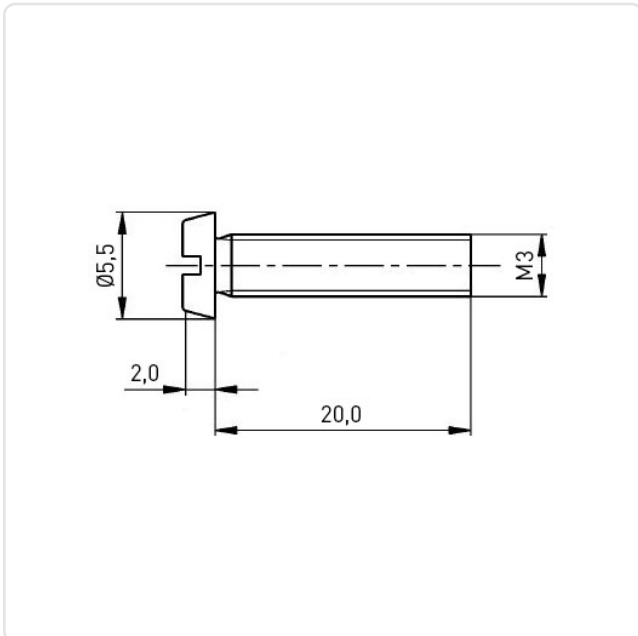


Image may be similar

|                     |                             |
|---------------------|-----------------------------|
| DIN/ISO:            | DIN84 / ISO1207             |
| Drive Type:         | Slotted                     |
| Finish:             | Galvanized, Blue, 5 µm, A2K |
| Head Diameter [mm]: | 5.5                         |
| Head Height [mm]:   | 2                           |
| Head Shape:         | Cheese Head                 |
| Length [mm]:        | 20                          |
| Material:           | Steel 4.8                   |
| Material Group:     | Stahl                       |
| Thread Size:        | M3                          |
| Weight:             | 1.16g                       |
| Conformities:       |                             |



You can find all  
information on the web on  
our article detail page



Would you like individual advice?

We look forward to your email to [products@ettinger.de](mailto:products@ettinger.de).

Subject to change and errors.