

Article datasheet

Pan Head Screw ISO14583 M1.6x6 Stainless Steel A2 Hexalobular

Article-No.: 001.51.022

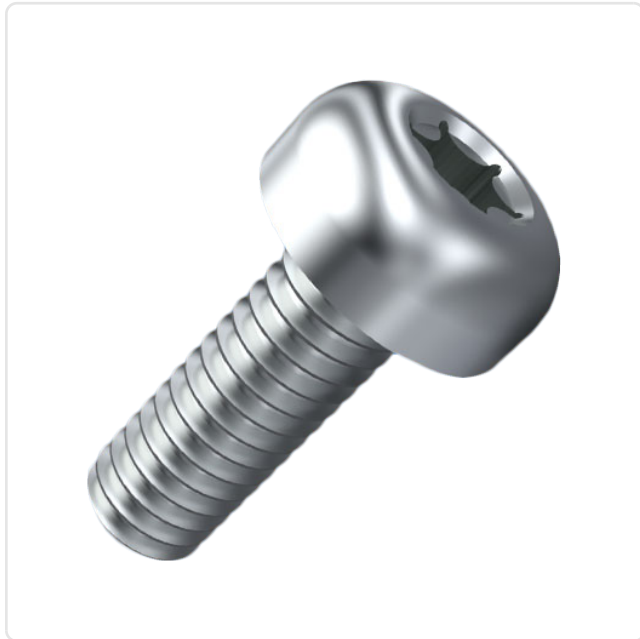
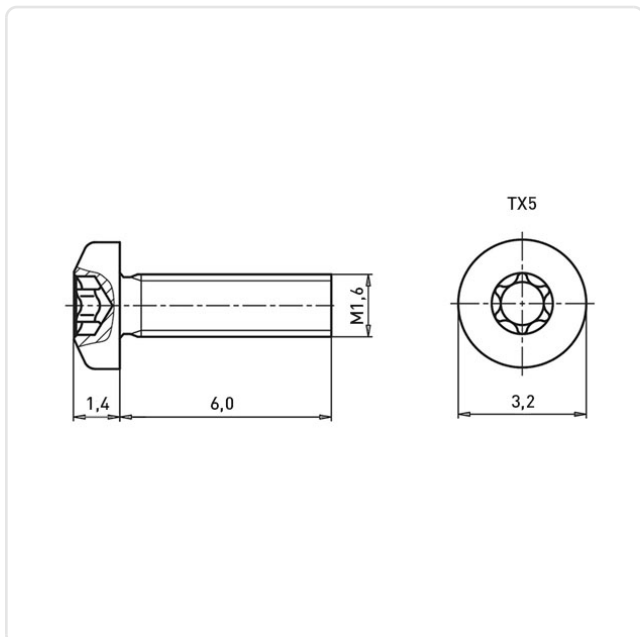


Image may be similar

Actuator Size:	Torx T6
DIN/ISO:	ISO14583
Drive Type:	TORX
Finish:	Plain
Head Diameter [mm]:	3.2
Head Height [mm]:	1.3
Head Shape:	Pan Head
Length [mm]:	6
Material:	Stainless Steel AISI 304 / A2
Material Group:	Stahl rostfrei
Thread Size:	M1.6
Weight:	0.12g
Conformities:	



You can find all information on the web on our article detail page

[Pan Head Screw ISO14583 M1.6x6
Stainless Steel A2 Hexalobular](#)

Would you like individual advice?

We look forward to your email to products@ettinger.de.

Subject to change and errors.