

Article datasheet

Solderless Terminal M3 0.5-1.0mm² Polyamid red UL-E329382 AWG22-18

Article-No.: 018.31.532



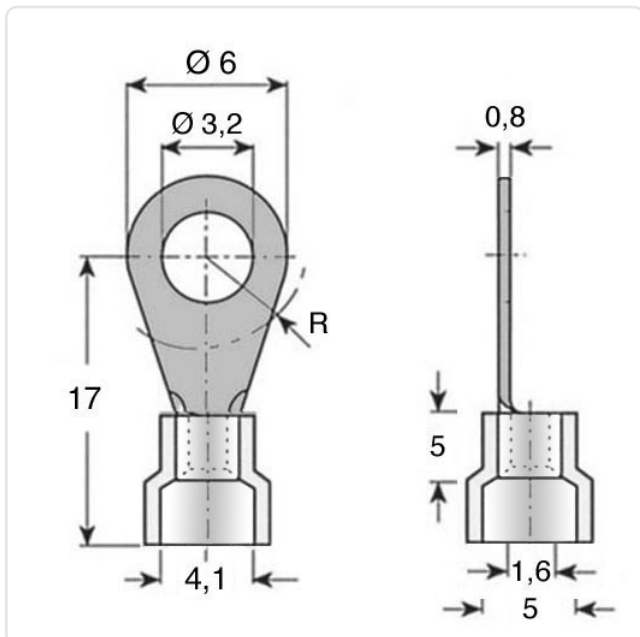
Image may be similar

Color:	Red
DIN/ISO:	DIN46237-A
Finish:	Tin-Plated
For Thread Size:	M3
Insulation:	Polyamide
Material:	Electrolytic Copper
Material Group:	Electrolytic Copper
Outer Diameter [mm]:	6
Wire Cross Section [mm ²]:	0.5-1.0
Weight:	0.7g
Conformities:	



You can find all information on the web on our article detail page

[Solderless Terminal M3 0.5-1.0mm² Polyamid red UL-E329382 AWG22-18](#)



Would you like individual advice?

We look forward to your email to products@ettinger.de.

Subject to change and errors.