

Article datasheet

Collar sleeve $\varnothing 2.0 \times 10.0 - 3.0 \text{mm}$ Brass tinned 0.3mm thick

Article-No.: 013.15.635



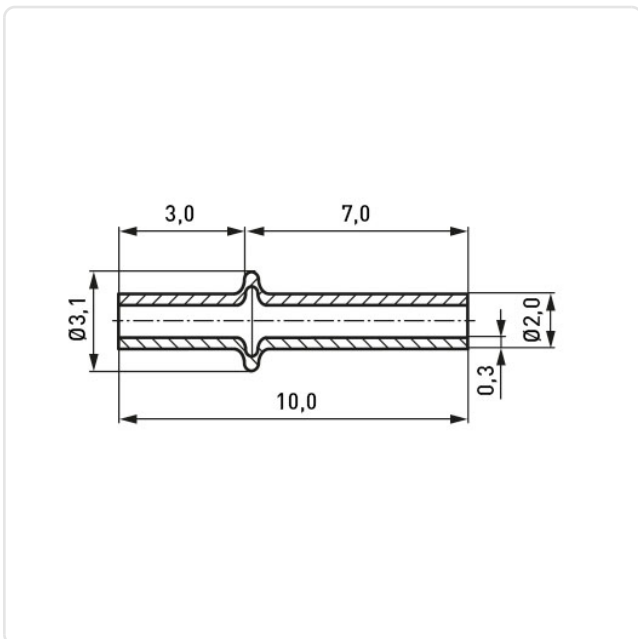
Image may be similar

Diameter [mm]: 2
 Finish: Tin-Plated
 Length [mm]: 10
 Material: Messing
 PCB Hole \varnothing [mm]: 2.1
 Plug-In Length [mm]: 7
 Wall Thickness [mm]: 0,3
 Weight: 0.16g
 Conformities:



You can find all information on the web on our article detail page

[Collar sleeve \$\varnothing 2.0 \times 10.0 - 3.0 \text{mm}\$ Brass tinned 0.3mm thick](#)



Would you like individual advice?

We look forward to your email to products@ettinger.de.

Subject to change and errors.