

Article datasheet

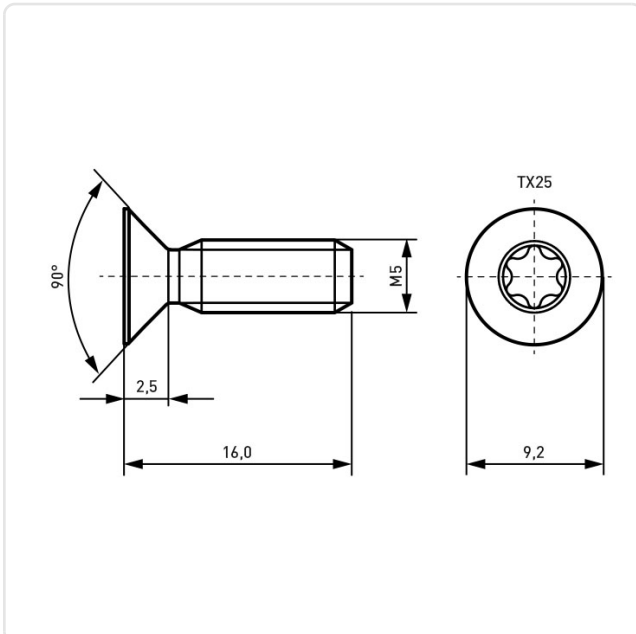
Countersunk Screw ISO14581 M5x16 Galvanized Steel 4.8 Torx

Article-No.: 001.55.561



Image may be similar

Actuator Size:	Torx T25
DIN/ISO:	ISO7046
Drive Type:	TORX
Finish:	Galvanized, Blue, 5 µm, A2K
Head Diameter [mm]:	9.2
Head Height [mm]:	2.5
Head Shape:	Countersunk Head
Length [mm]:	16
Material:	Steel 4.8
Material Group:	Stahl
Thread Size:	M5
Weight:	2.28g
Conformities:	



You can find all information on the web on our article detail page

[Countersunk Screw ISO14581 M5x16 Galvanized Steel 4.8 Torx](#)

Would you like individual advice?

We look forward to your email to products@ettinger.de.

Subject to change and errors.