

Article datasheet

Contact Washer Ø12.4/24.0 x 1.6 Galvanized Steel

Article-No.: 003.20.121

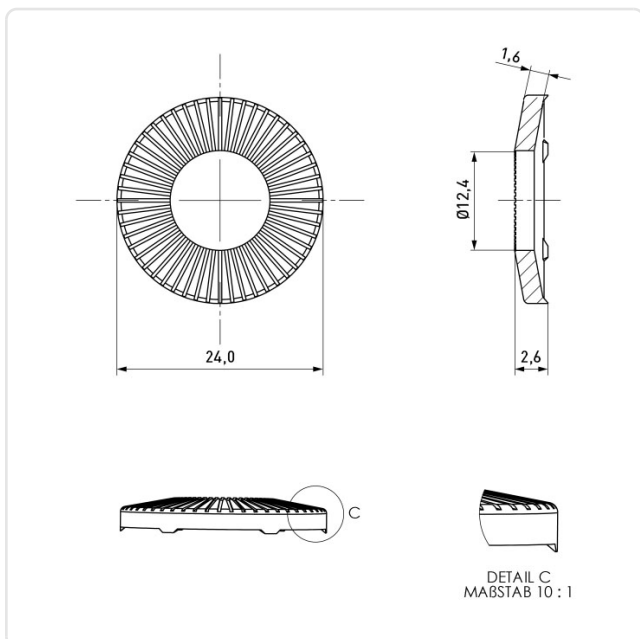


Image may be similar

Finish: Galvanized, 15–25 µm
 For Thread Size: M12
 Height [mm]: 1.6
 Inner Diameter [mm]: 12.4
 Material: Spring Steel, lead-free
 Outer Diameter [mm]: 24
 Weight: 3.94g
 Conformities:



You can find all information on the web on our article detail page
[Contact Washer Ø12.4/24.0 x 1.6 Galvanized Steel](#)



Would you like individual advice?

We look forward to your email to products@ettinger.de.

Subject to change and errors.