

Article datasheet

## Retaining Ring Ø3.5/7.5 x 2.5 POM red

Article-No.: 003.15.104

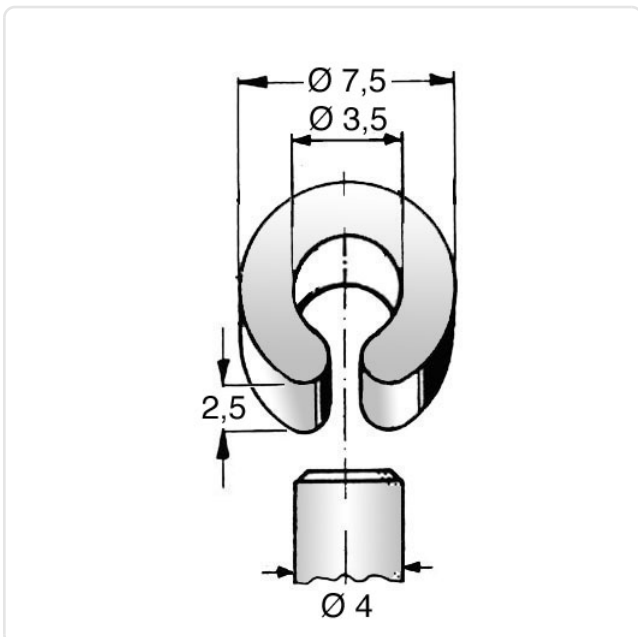


Image may be similar

Color: Red  
Height [mm]: 2.5  
Inner Diameter [mm]: 3.5  
Material: POM - Polyoxymethylene  
Material Group: Plastic  
Outer Diameter [mm]: 7.5  
Weight: 0.09g  
Conformities:



You can find all  
information on the web on  
our article detail page



Would you like individual advice?

We look forward to your email to [products@ettinger.de](mailto:products@ettinger.de).

Subject to change and errors.