

Article datasheet

## Eyelet Terminal Brass silver-plated hole $\varnothing 3.2\text{mm}$

Article-No.: 019.06.040

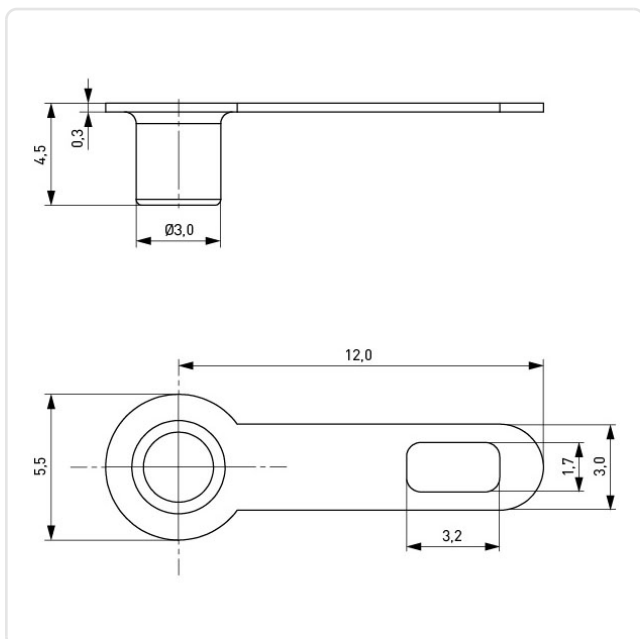


Image may be similar

Finish: Silver-Plated  
 Inner Diameter [mm]: 3.2  
 Length [mm]: 12  
 Material: Brass CW508L / CuZn37, lead-free  
 Material Group: Brass  
 Outer Diameter [mm]: 5.5  
 Weight: 0.2g  
 Conformities:



You can find all information on the web on our article detail page  
[Eyelet Terminal Brass silver-plated hole  \$\varnothing 3.2\text{mm}\$](#)



Would you like individual advice?

We look forward to your email to [products@ettinger.de](mailto:products@ettinger.de).

Subject to change and errors.