

Article datasheet

## Flat Tie Holder for Tie width 3.6mm Polyamid 6.6 natural

Article-No.: 072.59.136

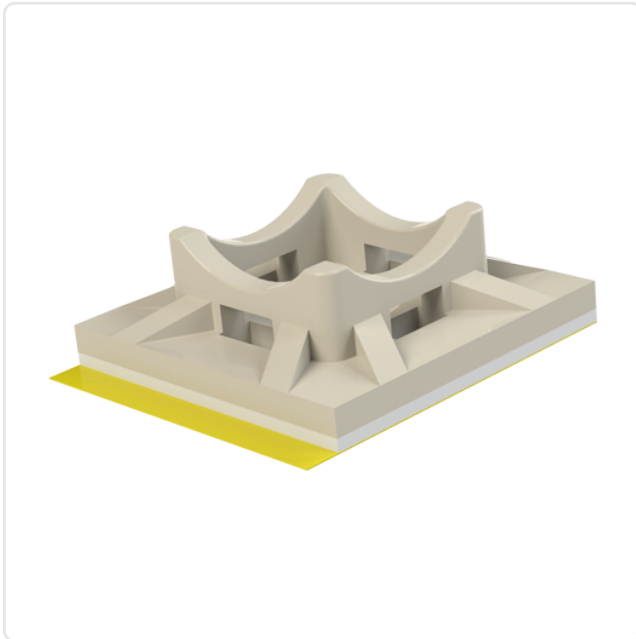


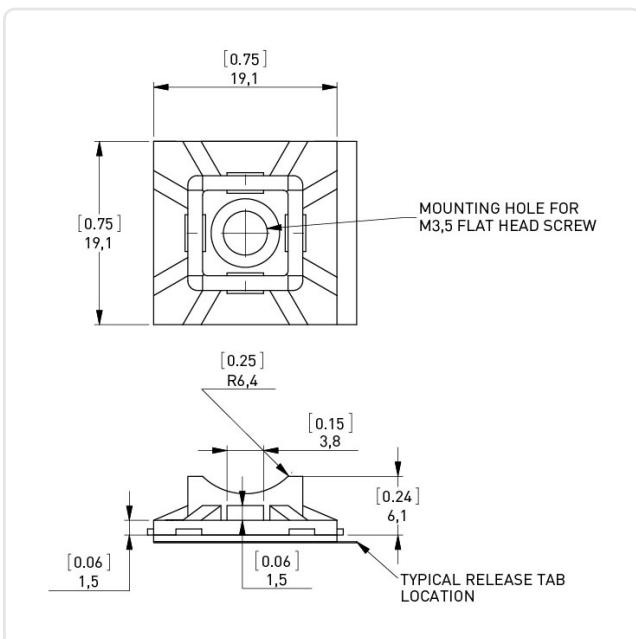
Image may be similar

Cable Tie Width max. [mm]:	3.6
Color:	Natural
Flammability Class:	UL94-V2
Height [mm]:	6.1
Length [mm]:	19.1
Material:	PA 6.6
Material Group:	Plastic
Model:	Fastening Plate, Self-Adhesive
Width [mm]:	19.1
Weight:	0.89g
Conformities:	<div style="display: flex; justify-content: space-around; align-items: center;"> <div style="border: 1px solid black; padding: 2px; text-align: center; font-size: 8px;"> <span style="color: green;">Reach</span> COMPLIANT         </div> <div style="border: 1px solid black; padding: 2px; text-align: center; font-size: 8px;"> <span style="color: green;">RoHS</span> COMPLIANT         </div> <div style="border: 1px solid black; padding: 2px; text-align: center; font-size: 8px;"> <span style="color: green;">SVHC</span> COMPLIANT         </div> </div>



You can find all information on the web on our article detail page

[Flat Tie Holder for Tie width 3.6mm Polyamid 6.6 natural](#)



Would you like individual advice?

We look forward to your email to [products@ettinger.de](mailto:products@ettinger.de).

Subject to change and errors.