

Article datasheet

## Socket Head Screw ISO4762 M4x35 Stainless Steel A2 Hexagon

Article-No.: 082.64.432



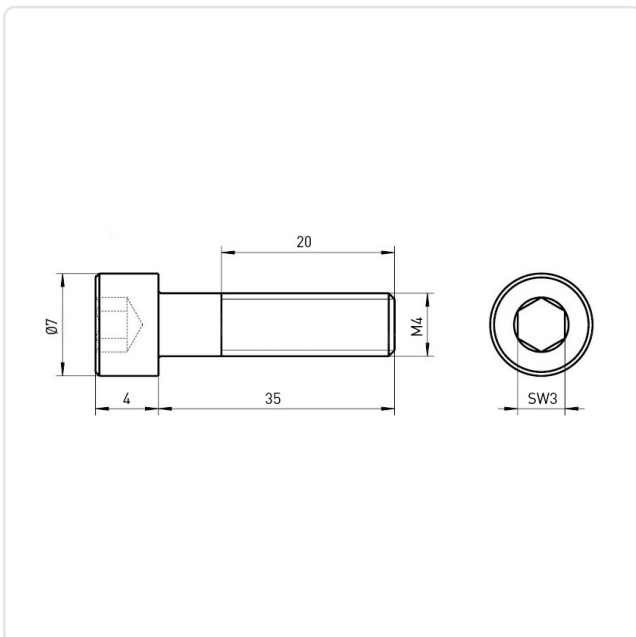
Image may be similar

Actuator Size:	Hexagon Socket Hex3
DIN/ISO:	ISO4762
Drive Type:	Hexagon Socket
Finish:	Plain
Head Diameter [mm]:	7
Head Height [mm]:	4
Head Shape:	Cheese Head
Length [mm]:	35
Material:	Stainless Steel AISI 304 / A2
Material Group:	Stainless Steel
Thread Size:	M4
Conformities:	



You can find all information on the web on our article detail page

[Socket Head Screw ISO4762 M4x35  
Stainless Steel A2 Hexagon](#)



Would you like individual advice?

We look forward to your email to [products@ettinger.de](mailto:products@ettinger.de).

Subject to change and errors.