

Article datasheet

## Clamping Bracket Type F M5 A2 Plain Stainless Steel

Article-No.: 003.32.529

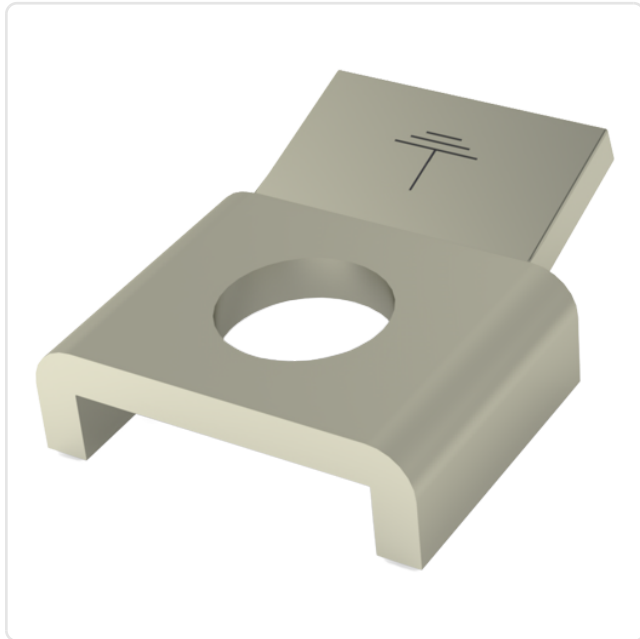
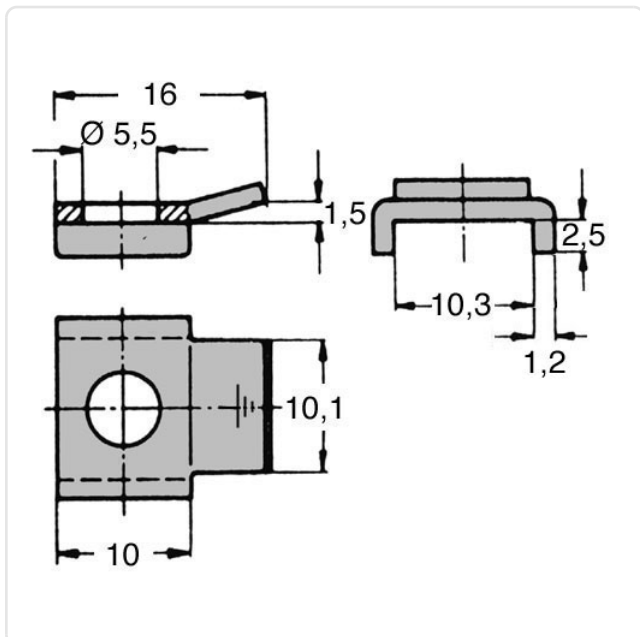


Image may be similar

Finish:	Plain
For Thread Size:	M5
Height [mm]:	1.2
Inner Diameter [mm]:	5.5
Material:	Stainless Steel AISI 304 / A2
Material Group:	Stahl rostfrei
Weight:	1.83g
Conformities:	



You can find all  
information on the web on  
our article detail page



Would you like individual advice?

We look forward to your email to [products@ettinger.de](mailto:products@ettinger.de).

Subject to change and errors.