

Article datasheet

**Standoff Polyamide GF Black F/F Ø5x5 | Thread M2.5 Full-Length**

Article-No.: 005.32.005

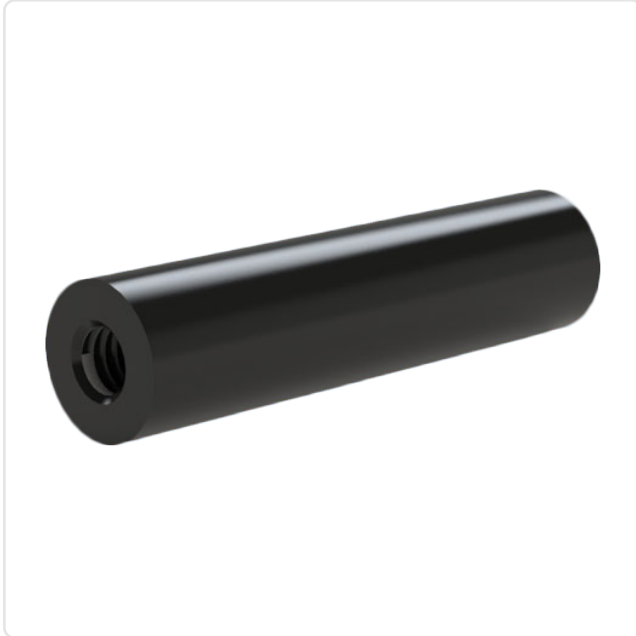
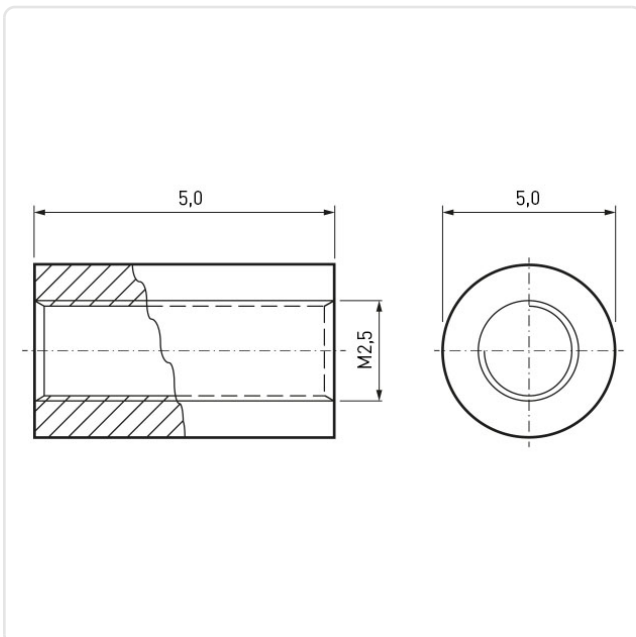


Image may be similar



AF / OD [mm]:	5
Color:	Black
Flammability Class:	UL94-HB
Length [mm]:	5
Material:	PA 6.0 25% GF
Material Group:	Plastic
Profile:	Round
Thread 1 Length [mm]:	5
Thread 1 Size:	M2.5
Weight:	0.12g
Conformities:	



You can find all information on the web on our article detail page

[Standoff Polyamide GF Black F/F Ø5x5 | Thread M2.5 Full-Length](#)

Would you like individual advice?

We look forward to your email to [products@ettinger.de](mailto:products@ettinger.de).

Subject to change and errors.