

Article datasheet

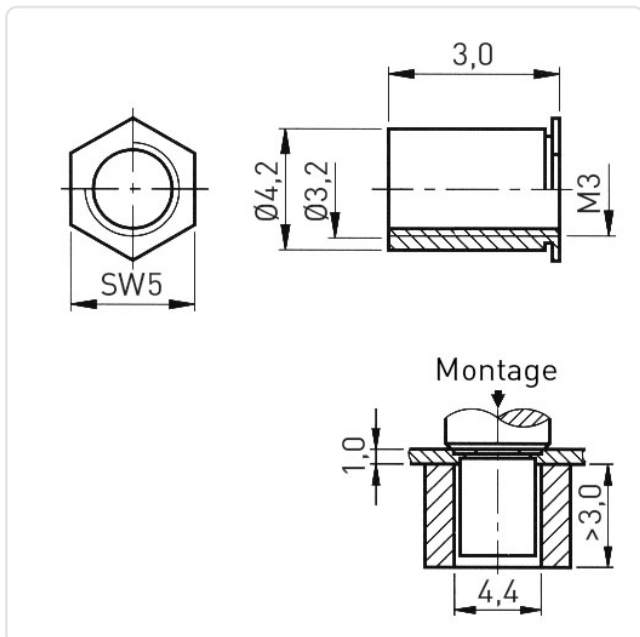
## Swage Standoff M3x3.0 A4 Stainless Steel Passivated

Article-No.: 004.66.309



Image may be similar

AF / OD [mm]:	5
Area of Application:	For Metallic Materials
Finish:	Passivated, Clear
Length [mm]:	3
Material:	Stainless Steel AISI 304 / A2
Material Group:	Stainless Steel
Minimum Edge Distance [mm]:	6.0
Outer Diameter [mm]:	4.2
Panel Hole Ø [mm]:	4.2
Panel Thickness [mm]:	1
Thread Size:	M3
Weight:	0.19g
Conformities:	



You can find all information on the web on our article detail page

[Swage Standoff M3x3.0 A4 Stainless Steel Passivated](#)

Would you like individual advice?

We look forward to your email to [products@ettinger.de](mailto:products@ettinger.de).

Subject to change and errors.