

Article datasheet

Threaded Block 12x6x6 | M3 / Ø3.2 Nickel-Plated Brass

Article-No.: 005.60.230

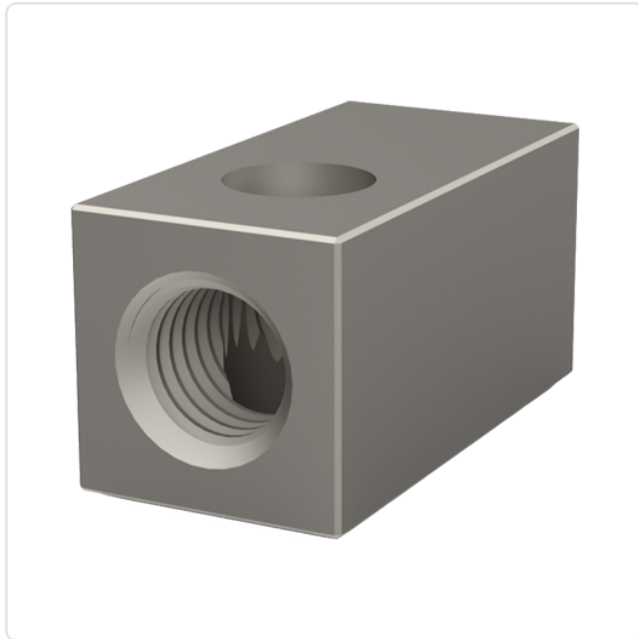





Image may be similar

Finish:	Nickel-Plated, 3 µm, E1E
Length [mm]:	12
Material:	Brass C6801, lead-free
Material Group:	Brass
Thread 1 / Hole 1:	M3
Thread 1 Length [mm]:	12
Thread 2 / Hole 2:	Ø 3,2
Thread 2 Length [mm]:	6
Weight:	2.69g
Conformities:	  



You can find all information on the web on our article detail page

[Threaded Block 12x6x6 | M3 / Ø3.2 Nickel-Plated Brass](#)

Would you like individual advice?

We look forward to your email to products@ettinger.de.

Subject to change and errors.

