

Article datasheet

Wing Nut DIN315 M5 A2 Plain Stainless Steel

Article-No.: 002.26.052



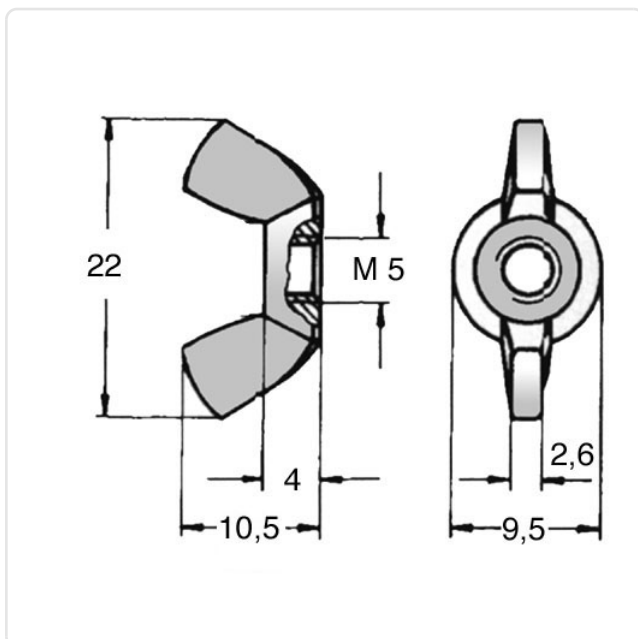
Image may be similar

AF / OD [mm]: 9.5
DIN/ISO: DIN315
Finish: Plain
Height [mm]: 10.5
Material: Stainless Steel AISI 304 / A2
Material Group: Stahl rostfrei
Thread Size: M5
Weight: 3.06g
Conformities:



You can find all information on the web on our article detail page

[Wing Nut DIN315 M5 A2 Plain Stainless Steel](#)



Would you like individual advice?

We look forward to your email to products@ettinger.de.

Subject to change and errors.