

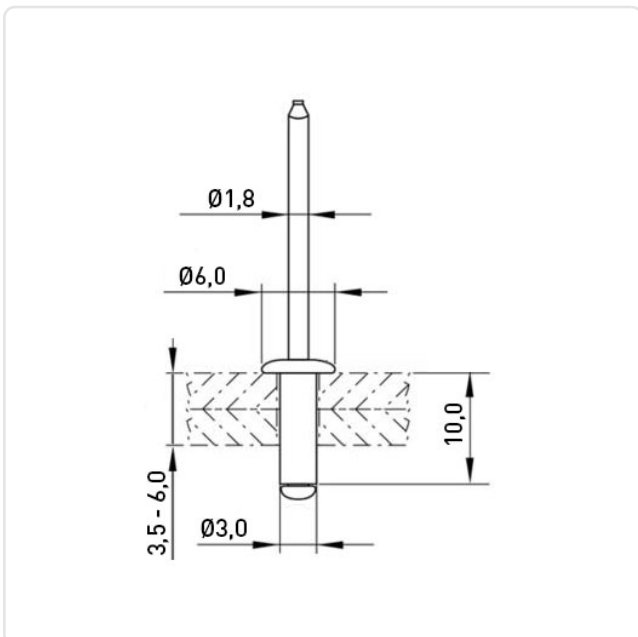
Article datasheet

## Blind Rivet Ø3.0x10.0 Aluminum Shell / Steel Mandrel

Article-No.: 001.08.658



Image may be similar



|                        |                                |
|------------------------|--------------------------------|
| Finish:                | Plain                          |
| Head Diameter [mm]:    | 6                              |
| Length [mm]:           | 10                             |
| Mandrel Diameter [mm]: | 1.8                            |
| Material:              | Aluminum Shell / Steel Mandrel |
| Material Group:        | Aluminum Shell / Steel Mandrel |
| Mounting Hole [mm]:    | 3.1                            |
| Panel Thickness [mm]:  | 3,5-6,0                        |
| Rivet Diameter [mm]:   | 3                              |
| Weight:                | 1.04g                          |
| Conformities:          |                                |



You can find all  
information on the web on  
our article detail page

Would you like individual advice?

We look forward to your email to [products@ettinger.de](mailto:products@ettinger.de).

Subject to change and errors.