

Article datasheet

Pan Head Screw ISO1580 M3x12 Steel 4.8 Zinc Plated Slotted

Article-No.: 001.15.351



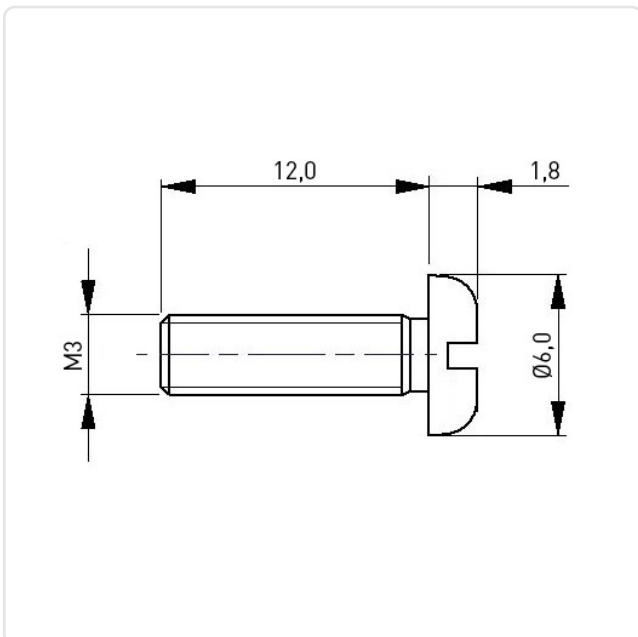
Image may be similar

DIN/ISO:	ISO1580
Drive Type:	Slotted
Finish:	Galvanized, Blue, 5 µm, A2K
Head Diameter [mm]:	6
Head Height [mm]:	1.8
Head Shape:	Pan Head
Length [mm]:	12
Material:	Steel 4.8, lead-free
Material Group:	Steel
Thread Size:	M3
Weight:	0.83g
Conformities:	



You can find all information on the web on our article detail page

[Pan Head Screw ISO1580 M3x12 Steel 4.8 Zinc Plated Slotted](#)



Would you like individual advice?

We look forward to your email to products@ettinger.de.

Subject to change and errors.