

Article datasheet

End-Sleeve 0.3-0.5mm² 10mm AWG23-20 Polypropylen orange - not UL-listed

Article-No.: 018.80.050



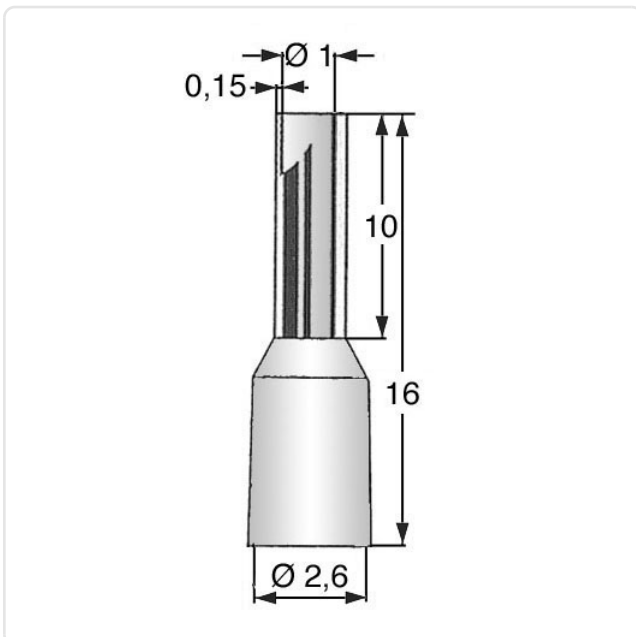
Image may be similar

Color:	Orange
Finish:	Tin-Plated
Insulation:	Polypropylene
Length [mm]:	16
Material:	Electrolytic Copper
Material Group:	Electrolytic Copper
Plug-In Length [mm]:	10
Wire Cross Section [mm ²]:	0.3-0.5
Weight:	0.08g
Conformities:	<div style="display: flex; gap: 10px;"> <div style="border: 1px solid green; padding: 2px; font-size: 8px;">Reach COMPLIANT</div> <div style="border: 1px solid green; padding: 2px; font-size: 8px;">RoHS COMPLIANT</div> <div style="border: 1px solid green; padding: 2px; font-size: 8px;">SVHC COMPLIANT</div> </div>



You can find all information on the web on our article detail page

[End-Sleeve 0.3-0.5mm² 10mm AWG23-20 Polypropylen orange - not UL-listed](#)



Would you like individual advice?

We look forward to your email to products@ettinger.de.

Subject to change and errors.