

Article datasheet

Braided Sleeving self-closing Ø8.0 PET black | 100m reel

Article-No.: 038.70.008

Manufacturer: SES-Sterling

Manufacturer article-no.: 0640 0008 010



Image may be similar

Bundle Diameter [mm]: 8,0

Color: Black

Flammability Class: UL94-V0

Inner Diameter [mm]: 8

Material: PET - Polyethylene Terephthalate

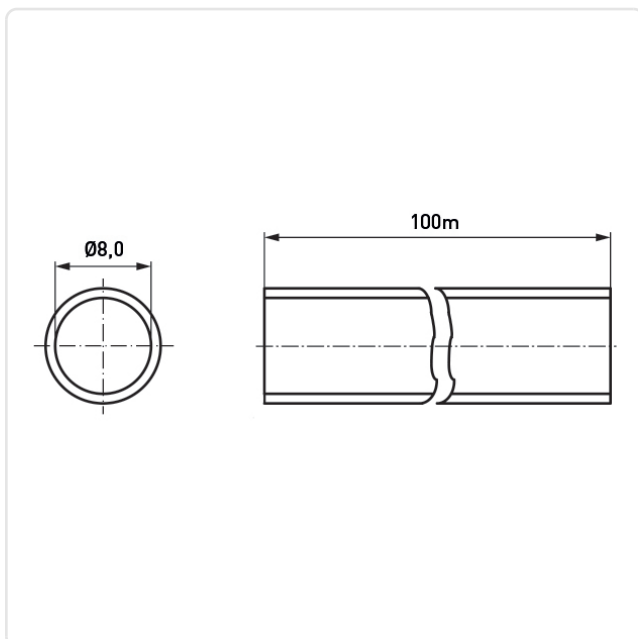
Material Group: Plastic

Reel Length [m]: 100

Conformities:



You can find all information on the web on our article detail page

[Braided Sleeving self-closing Ø8.0 PET black | 100m reel](#)

Would you like individual advice?

We look forward to your email to products@ettinger.de.

Subject to change and errors.