

Article datasheet

Hexagon Head Screw ISO4017 M5x10 Steel 8.8 Zinc Plated

Article-No.: 001.13.541

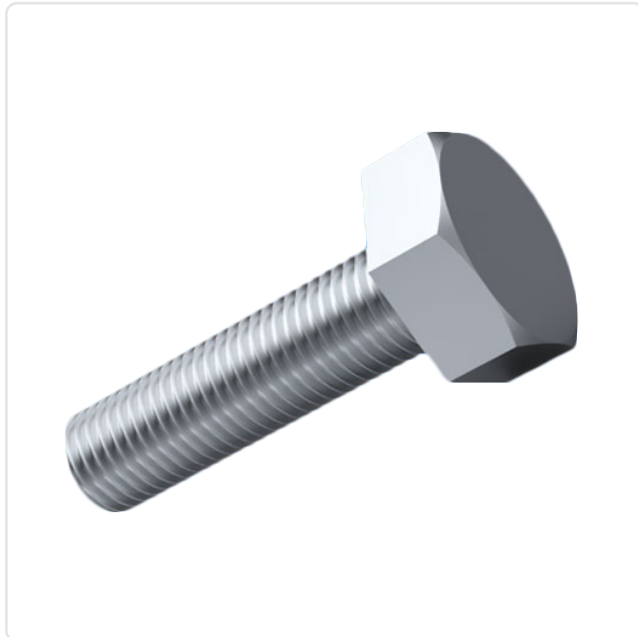
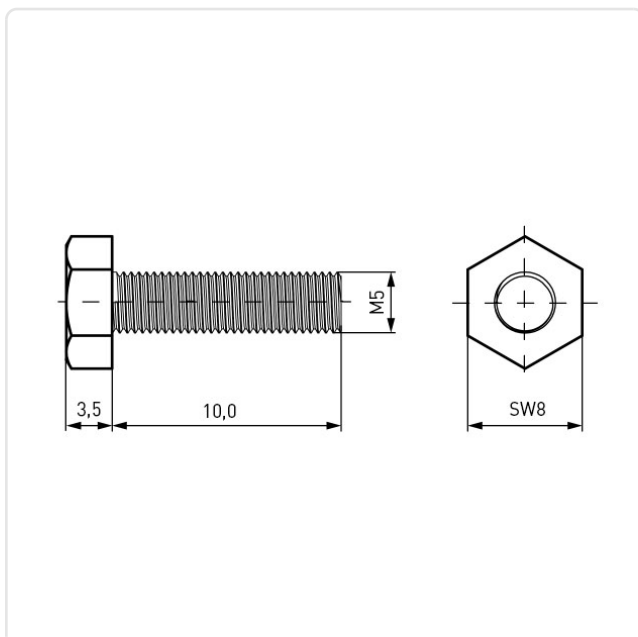


Image may be similar

Actuator Size:	Hexagon Hex8
DIN/ISO:	ISO4017
Drive Type:	Hexagon
Finish:	Galvanized, Blue, 5 µm, A2K
Head Diameter [mm]:	8
Head Height [mm]:	3.5
Head Shape:	Hexagon Head
Length [mm]:	10
Material:	Steel 8.8
Material Group:	Stahl
Thread Size:	M5
Weight:	2.55g
Conformities:	  



You can find all information on the web on our article detail page
[Hexagon Head Screw ISO4017 M5x10 Steel 8.8 Zinc Plated](#)

Would you like individual advice?
 We look forward to your email to products@ettinger.de.

Subject to change and errors.