

Article datasheet

Blind Nut M5 Panel Thk. Range 0.4-4.9mm Neoprene black

Article-No.: 002.13.150

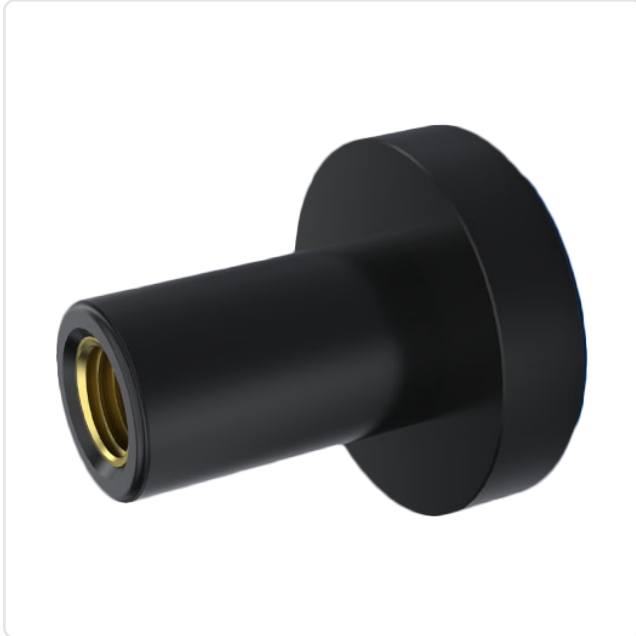


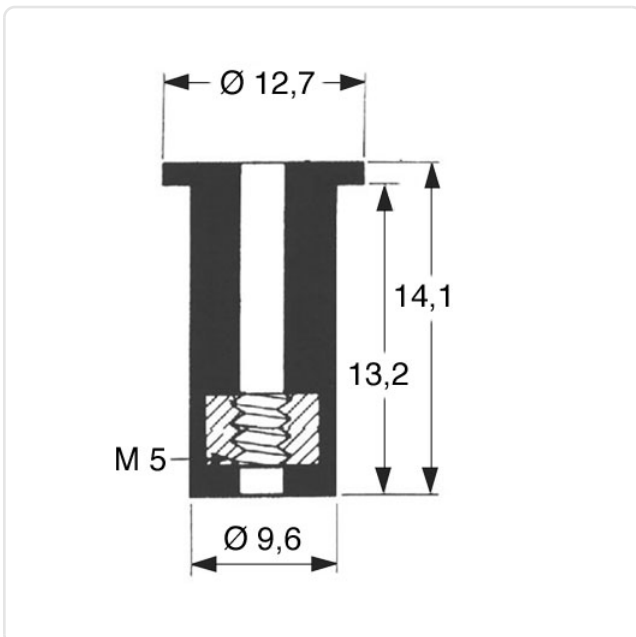
Image may be similar

AF / OD [mm]:	12.7
Color:	Black
Height [mm]:	14.1
Material:	CR - Polychloroprene
Material Group:	Plastic
Mounting Hole [mm]:	9.7
Panel Thickness Range [mm]:	0,4-4,9
Thread Size:	M5
Weight:	1.8g
Conformities:	



You can find all information on the web on our article detail page

[Blind Nut M5 Panel Thk. Range 0.4-4.9mm Neoprene black](#)



Would you like individual advice?

We look forward to your email to products@ettinger.de.

Subject to change and errors.