

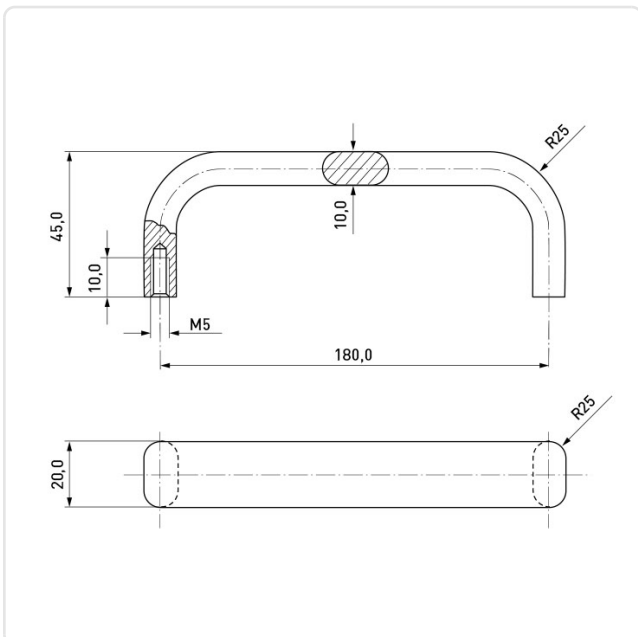
Article datasheet

Flat Oval Handle 180/45/20mm M5 Aluminium,black anodized

Article-No.: 029.09.180



Image may be similar



Color:	Black
Dist. Mounting Holes [mm]:	180
Finish:	Anodized, Black
Height [mm]:	45
Material:	Aluminum ENAW-5754 / AlMg3, lead-free
Material Group:	Aluminum
Model:	Bow-Shaped Handle
Thread Size:	M5
Width [mm]:	10
Weight:	114g
Conformities:	



You can find all information on the web on our article detail page

[Flat Oval Handle 180/45/20mm M5 Aluminium,black anodized](#)

Would you like individual advice?

We look forward to your email to products@ettinger.de.

Subject to change and errors.