

Article datasheet

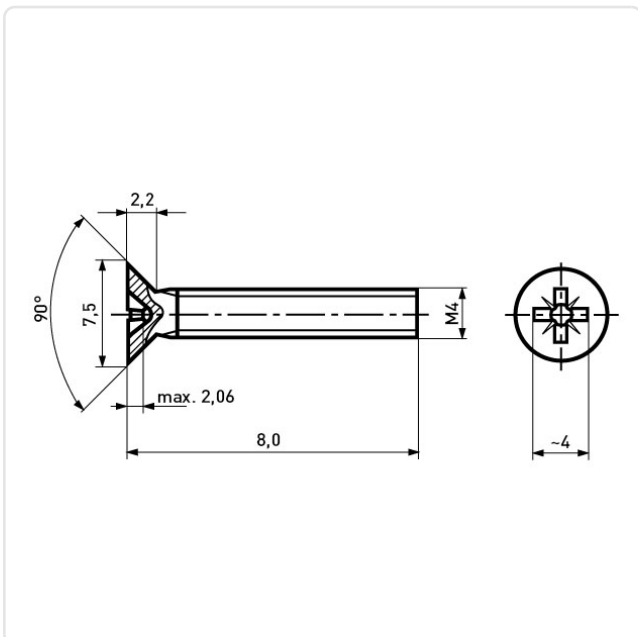
Countersunk Screw ISO7046 M4x8 Black Galv. Steel 4.8 Cross Recessed

Article-No.: 082.23.480



Image may be similar

| | |
|---------------------|------------------------------|
| Actuator Size: | Pozidriv PZ2 |
| DIN/ISO: | ISO7046 |
| Drive Type: | Cross Recess / Pozidriv-Z |
| Finish: | Galvanized, Black, 5 µm, A2R |
| Head Diameter [mm]: | 7.5 |
| Head Height [mm]: | 2.2 |
| Head Shape: | Countersunk Head |
| Length [mm]: | 8 |
| Material: | Steel 4.8 |
| Material Group: | Stahl |
| Thread Size: | M4 |
| Weight: | 0.83g |
| Conformities: | |



You can find all information on the web on our article detail page

[Countersunk Screw ISO7046 M4x8 Black Galv. Steel 4.8 Cross Recessed](#)

Would you like individual advice?

We look forward to your email to products@ettinger.de.

Subject to change and errors.