

Article datasheet

Set Screw DIN915/ISO4028 M6x10 ST-A2 Stainless Hex Socket Dog Point

Article-No.: 001.10.645



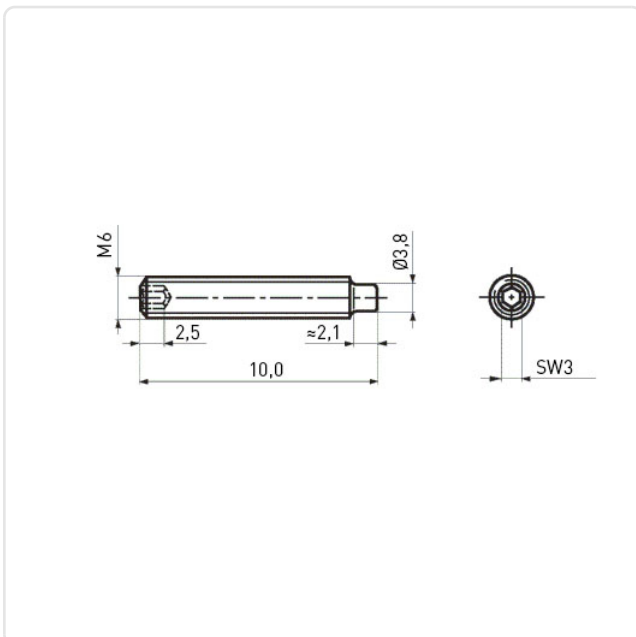
Image may be similar

DIN/ISO: ISO4028
 Drive Type: Hexagon Socket
 Finish: Plain
 Length [mm]: 10
 Material: Stainless Steel AISI 304 / A2
 Material Group: Stahl rostfrei
 Point Type: Dog Point
 Thread Size: M6
 Weight: 1.15g
 Conformities:



You can find all information on the web on our article detail page

[Set Screw DIN915/ISO4028 M6x10 ST-A2 Stainless Hex Socket Dog Point](#)



Would you like individual advice?

We look forward to your email to products@ettinger.de.

Subject to change and errors.