

Article datasheet

Contact Washer $\varnothing 10.2/20.3$ x 1.6 White Galv. Spring Steel

Article-No.: 003.20.101

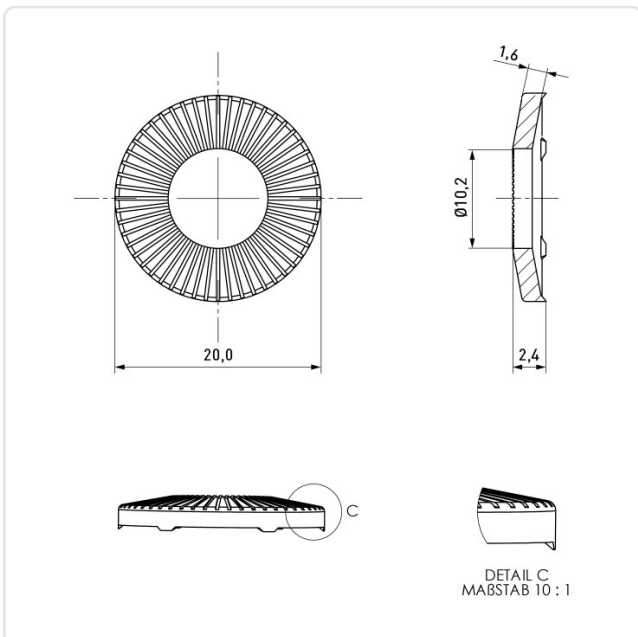


Image may be similar

Finish: Galvanized, White, 15–25 μm
For Thread Size: M10
Height [mm]: 1.6
Inner Diameter [mm]: 10.2
Material: Spring Steel
Material Group: Steel
Outer Diameter [mm]: 20.25
Weight: 2.85g
Conformities:



You can find all information on the web on our article detail page



Would you like individual advice?

We look forward to your email to products@ettinger.de.

Subject to change and errors.