

Article datasheet

Fuse Holder Panel Mount 5x20mm Thermoplastic UL94-V0/16A-250V/IP40

Article-No.: 015.08.316



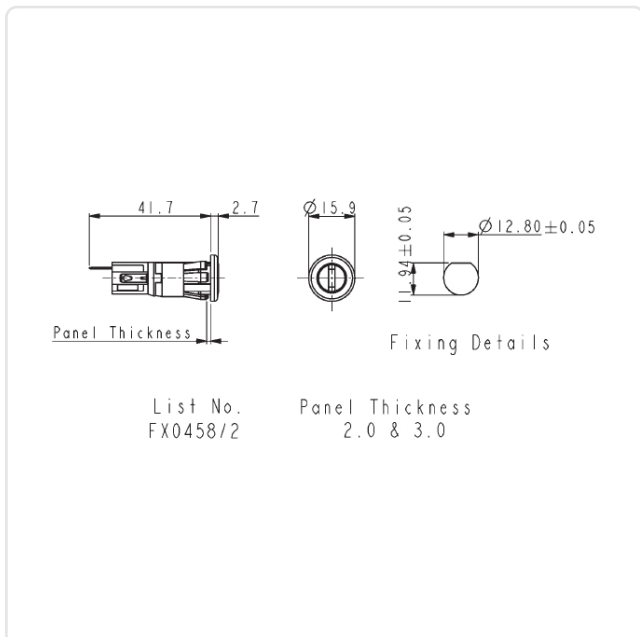
Image may be similar

Amperage [A]: 16
 Fuse Size [mm]: 5.0x20.0
 Material: TPR - Thermoplastic Elastomer
 Material Group: Kunststoff
 Model: Fuse Holder
 Mounting Hole [mm]: 12.8
 Protection Code: IP40
 Weight: 6.08g
 Conformities:



You can find all information on the web on our article detail page

[Fuse Holder Panel Mount 5x20mm Thermoplastic UL94-V0/16A-250V/IP40](#)



Would you like individual advice?

We look forward to your email to products@ettinger.de.

Subject to change and errors.