

Article datasheet

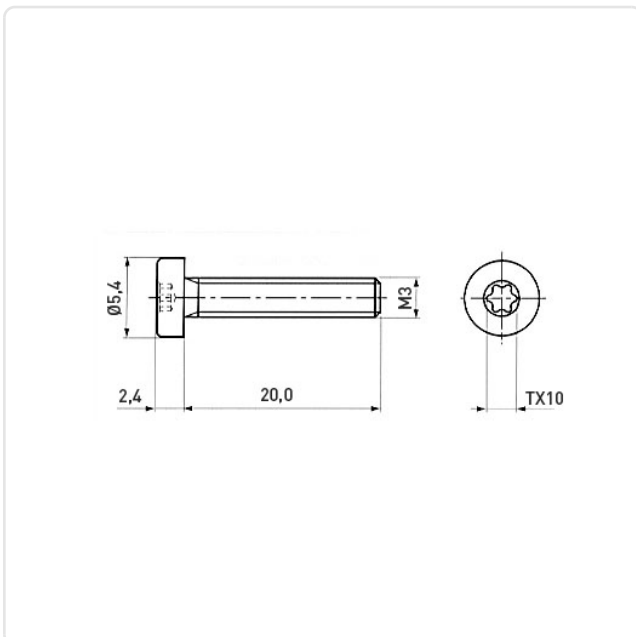
Socket Head Screw ISO14580 M3x20 Steel 8.8 Black Zinc Plated Hexalobular

Article-No.: 001.63.370



Image may be similar

Actuator Size:	Torx T10
DIN/ISO:	ISO14580
Drive Type:	TORX
Finish:	Galvanized, Black, 5 µm, A2R
Head Diameter [mm]:	5.5
Head Height [mm]:	2.4
Head Shape:	Flat Cheese Head
Length [mm]:	20
Material:	8.8
Material Group:	NULL
Thread Size:	M3
Weight:	1.2g
Conformities:	



You can find all information on the web on our article detail page

[Socket Head Screw ISO14580 M3x20 Steel 8.8 Black Zinc Plated Hexalobular](#)

Would you like individual advice?

We look forward to your email to products@ettinger.de.

Subject to change and errors.