

Article datasheet

PCB Support 44.0 | \varnothing 4.0 | \varnothing 4.0 Polyamide 6.6 black

Article-No.: 006.43.244



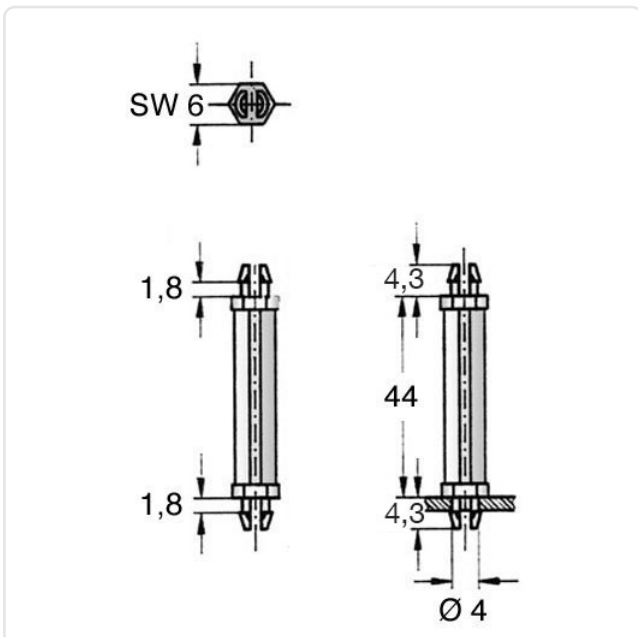
Image may be similar

Color: Black
 Flammability Class: UL94-HB
 Length [mm]: 44
 Material: PA 6.6
 Material Group: Plastic
 PCB Hole \varnothing [mm]: 4
 PCB Thickness [mm]: 1,8
 Panel Hole \varnothing [mm]: 4
 Panel Thickness [mm]: 1,6
 Weight: 1.01g
 Conformities:



You can find all information on the web on our article detail page

[PCB Support 44.0 | \$\varnothing\$ 4.0 | \$\varnothing\$ 4.0 Polyamide 6.6 black](#)



Would you like individual advice?

We look forward to your email to products@ettinger.de.

Subject to change and errors.