

Article datasheet

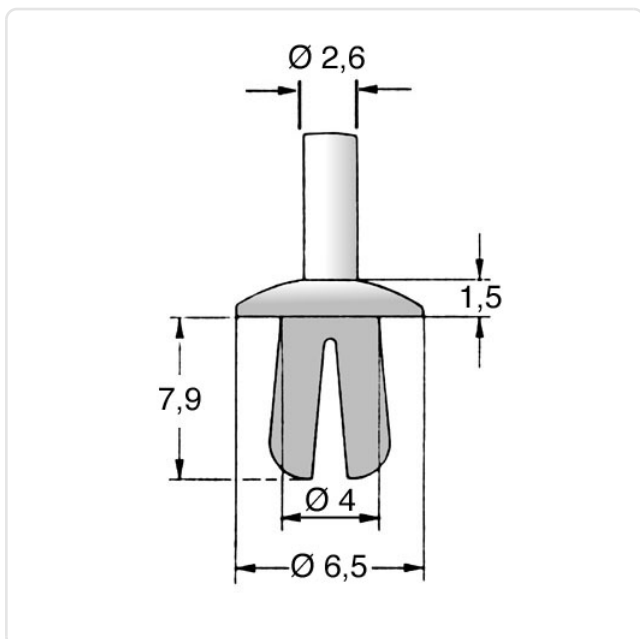
Drive Rivet Ø4.0 | 1.5-6.0 Polyamide 6.6 black

Article-No.: 072.14.460



Image may be similar

Color:	Black
Flammability Class:	UL94-V2
Head Diameter [mm]:	6.5
Head Height [mm]:	1.5
Length [mm]:	7.9
Mandrel Diameter [mm]:	2.6
Material:	PA 6.6
Material Group:	Plastic
Model:	not removable
Mounting Hole Range [mm]:	4.0-4.2
Panel Thickness [mm]:	1,5-6,0
Rivet Diameter [mm]:	4
Weight:	0.16g
Conformities:	



You can find all information on the web on our article detail page

[Drive Rivet Ø4.0 | 1.5-6.0 Polyamide 6.6 black](#)

Would you like individual advice?

We look forward to your email to products@ettinger.de.

Subject to change and errors.