

Article datasheet

Retaining Bolt w/ Cross Hole Ø2.2 | AF6x8 Nickel-Plated Brass

Article-No.: 005.60.930



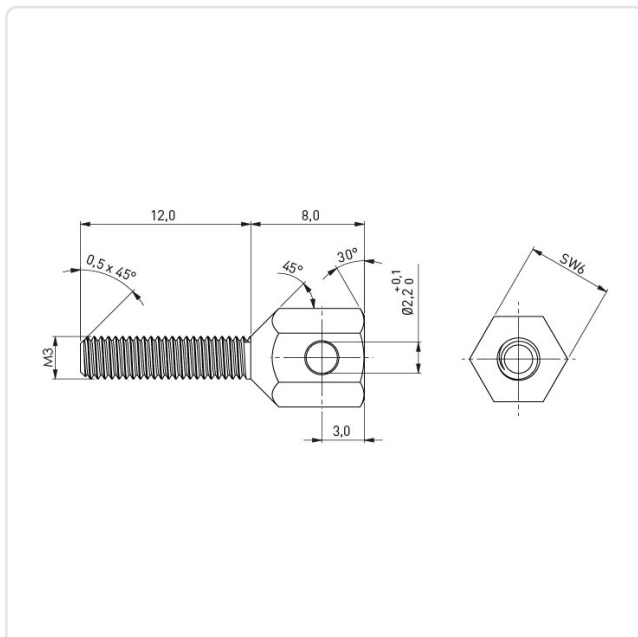
Image may be similar

AF / OD [mm]:	6
Finish:	Nickel-Plated, 3 µm, E1E
Length [mm]:	8
Material:	Brass CW614N / CuZn39Pb3
Material Group:	Brass
Thread 1 / Hole 1:	M3
Thread 1 Length [mm]:	12
Thread 2 / Hole 2:	Ø 2,2
Thread 2 Length [mm]:	6
Weight:	2.25g
Conformities:	<div style="display: flex; align-items: center; gap: 10px;"> <div style="border: 1px solid black; padding: 2px; font-size: 8px;">SVHC NOT COMPLIANT</div> <div style="font-size: 24px; color: red;">✗</div> <div style="border: 1px solid black; padding: 2px; font-size: 8px;">Reach COMPLIANT</div> <div style="font-size: 24px; color: green;">✓</div> <div style="border: 1px solid black; padding: 2px; font-size: 8px;">RoHS COMPLIANT</div> <div style="font-size: 24px; color: green;">✓</div> </div>



You can find all information on the web on our article detail page

[Retaining Bolt w/ Cross Hole Ø2.2 | AF6x8 Nickel-Plated Brass](#)



Would you like individual advice?

We look forward to your email to products@ettinger.de.

Subject to change and errors.