

Article datasheet

Pan Head Screw ISO7045 M3x20 Stainless Steel A2 Cross Recessed

Article-No.: 001.17.372

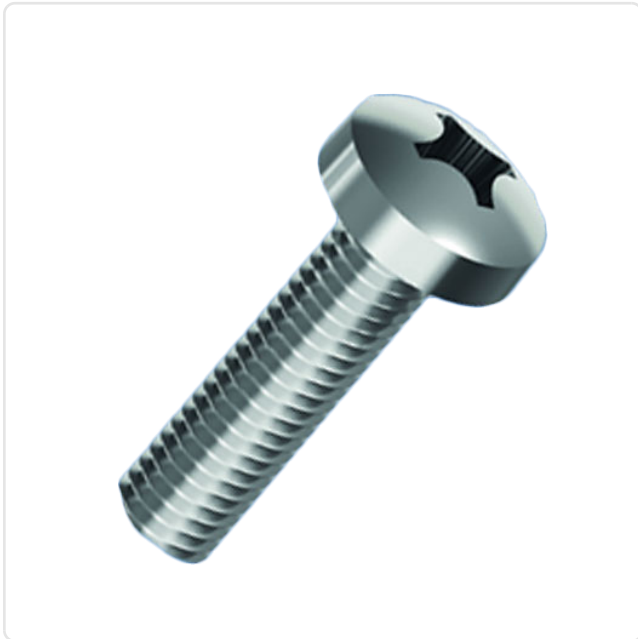
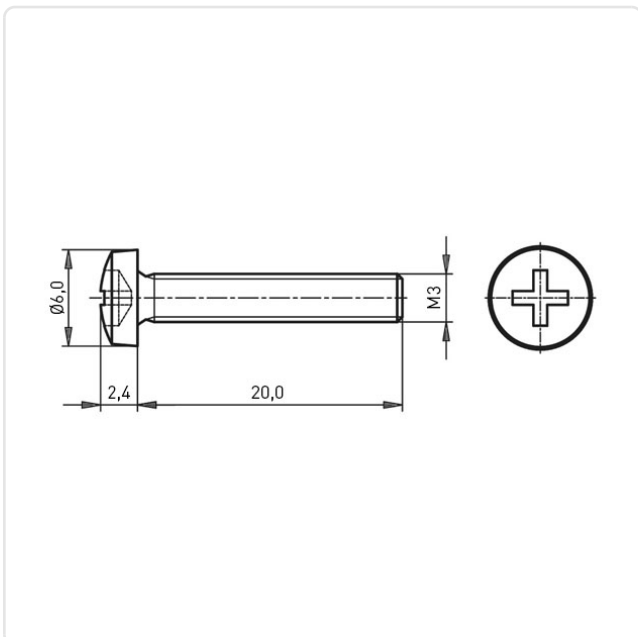


Image may be similar

Actuator Size:	Phillips PH1
DIN/ISO:	ISO7045
Drive Type:	Cross Recess / Phillips-H
Finish:	Plain
Head Diameter [mm]:	6
Head Height [mm]:	2.4
Head Shape:	Pan Head
Length [mm]:	20
Material:	Stainless Steel AISI 304 / A2
Material Group:	Stainless Steel
Thread Size:	M3
Weight:	1.22g
Conformities:	



You can find all information on the web on our article detail page

[Pan Head Screw ISO7045 M3x20 Stainless Steel A2 Cross Recessed](#)

Would you like individual advice?

We look forward to your email to products@ettinger.de.

Subject to change and errors.