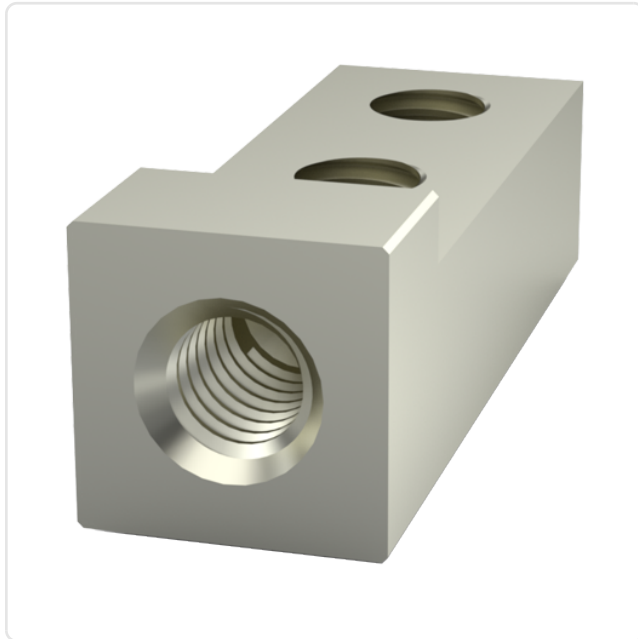


Article datasheet

Threaded Block 15x5x5 | 3x M2.5 Nickel-Plated Brass

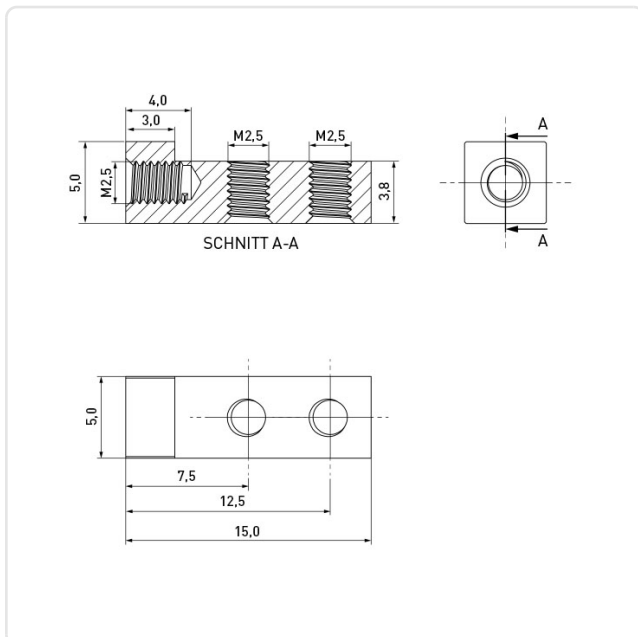
Article-No.: 005.60.425



Finish:	Nickel-Plated, 3 µm, E1E
Length [mm]:	15
Material:	Brass CW614N / CuZn39Pb3
Material Group:	Brass
Thread 1 / Hole 1:	M2.5
Thread 1 Length [mm]:	4
Thread 2 / Hole 2:	M2.5
Thread 2 Length [mm]:	3.8
Thread 3 / Hole 3:	M2.5
Thread 3 Length [mm]:	3.8
Weight:	2.07g
Conformities:	



Image may be similar



You can find all information on the web on our article detail page

[Threaded Block 15x5x5 | 3x M2.5 Nickel-Plated Brass](#)

Would you like individual advice?

We look forward to your email to products@ettinger.de.

Subject to change and errors.