

Article datasheet

Hole Plug $\varnothing 5.1/11.0$ mm Polyethylene,natural/Not UL-listed

Article-No.: 014.10.051

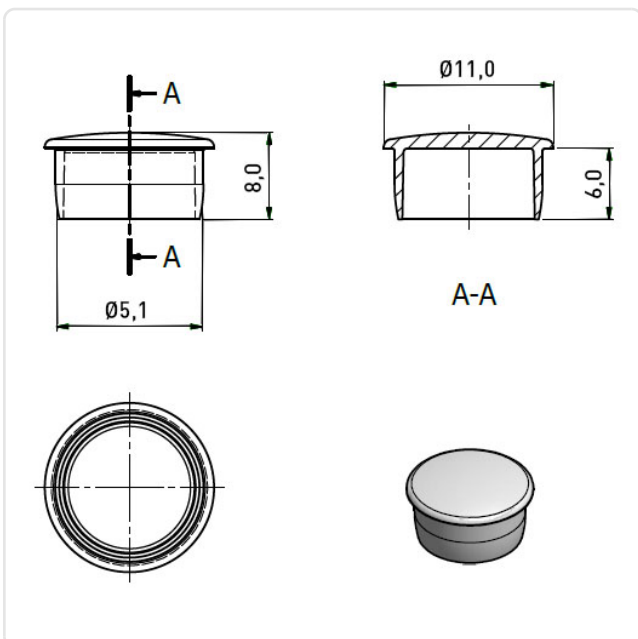


Image may be similar

Color: Natural
 Inner Diameter [mm]: 5.1
 Material: PE - Polyethylene
 Material Group: Plastic
 Model: Hole Plug
 Outer Diameter [mm]: 11
 Weight: 0.17g
 Conformities:



You can find all information on the web on our article detail page
[Hole Plug \$\varnothing 5.1/11.0\$ mm Polyethylene,natural/Not UL-listed](#)



Would you like individual advice?

We look forward to your email to products@ettinger.de.

Subject to change and errors.