

Article datasheet

Rivet Bush M2.5x10.0 | 2.0 Nickel-Plated Brass

Article-No.: 002.82.933

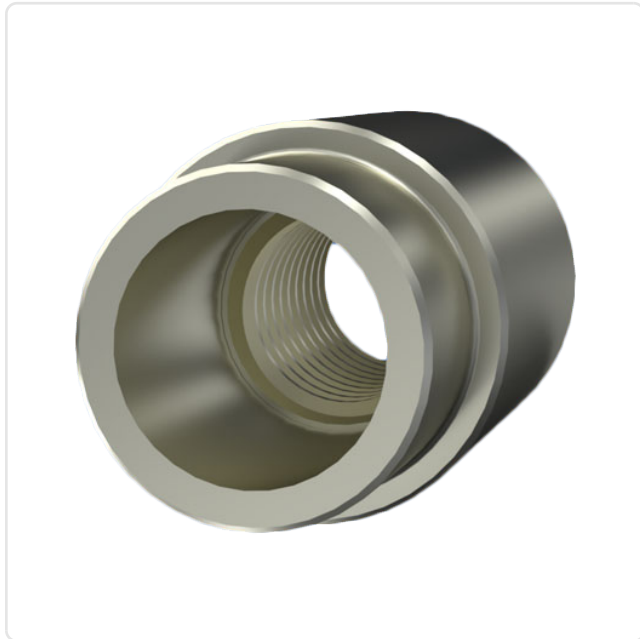


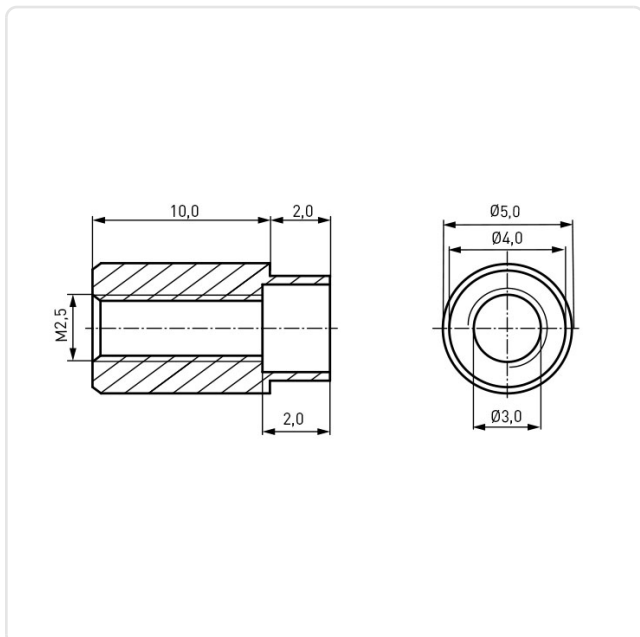
Image may be similar

Finish:	Nickel-Plated, 3 µm, E1E
Height [mm]:	10
Material:	Brass CW614N / CuZn39Pb3
Material Group:	Brass
Outer Diameter [mm]:	5
Panel Hole Ø [mm]:	4.1
Thread Size:	M2.5
Weight:	1.36g
Conformities:	



You can find all information on the web on our article detail page

[Rivet Bush M2.5x10.0 | 2.0 Nickel-Plated Brass](#)



Would you like individual advice?

We look forward to your email to products@ettinger.de.

Subject to change and errors.