

Article datasheet

## **Fuse Holder Panel-Mount 5x20mm Screw Cap max.6.3A 250V IP66 PC-1**

**Article-No.: 015.08.660**



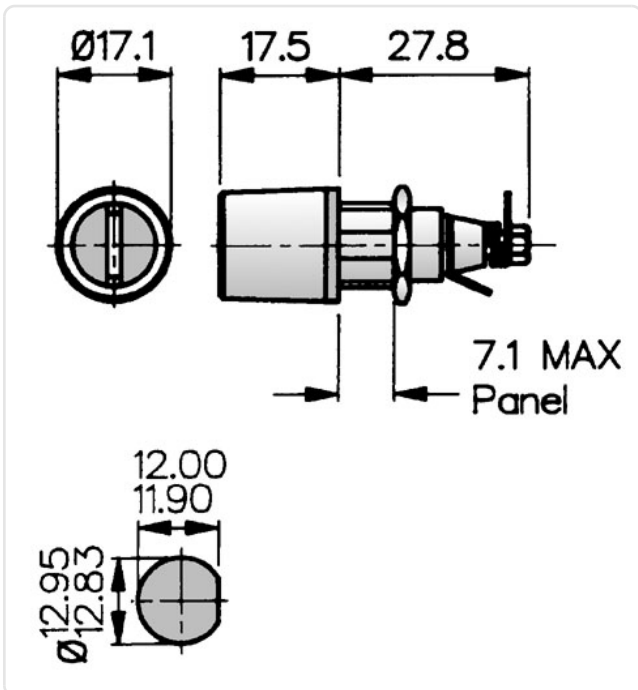
Image may be similar

Amperage [A]: 6.3  
 Fuse Size [mm]: 5.0x20.0  
 Material: PA 6.6 25% GF  
 Model: Fuse Holder  
 Mounting Hole [mm]: 12.9  
 Protection Code: IP66  
 Weight: 16.2g  
 Conformities:



You can find all information on the web on our article detail page

[Fuse Holder Panel-Mount 5x20mm Screw Cap max.6.3A 250V IP66 PC-1](#)



Would you like individual advice?

We look forward to your email to [products@ettinger.de](mailto:products@ettinger.de).

Subject to change and errors.