

Article datasheet

## Contact Washer $\varnothing 4.2/8.0$ x 0.8 Galvanized Steel

Article-No.: 003.20.041

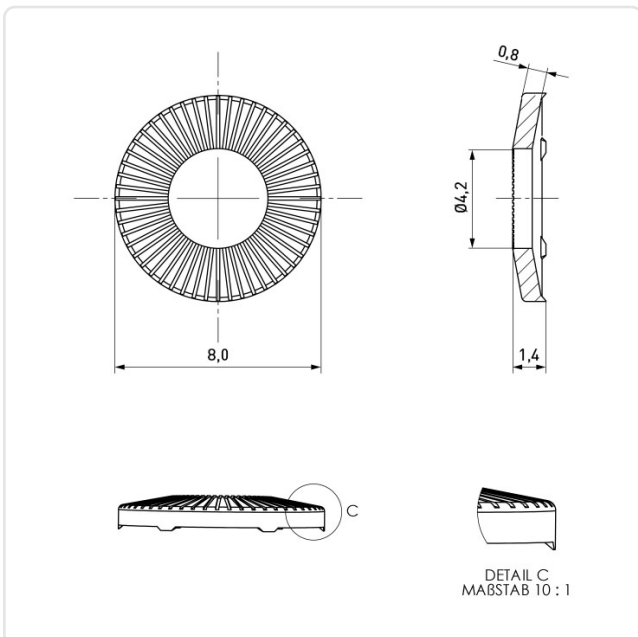


Image may be similar

Finish: Galvanized, 15–25  $\mu\text{m}$   
 For Thread Size: M4  
 Height [mm]: 0.8  
 Inner Diameter [mm]: 4.2  
 Material: Spring Steel, lead-free  
 Outer Diameter [mm]: 8  
 Weight: 0.22g  
 Conformities:



You can find all information on the web on our article detail page  
[Contact Washer  \$\varnothing 4.2/8.0\$  x 0.8 Galvanized Steel](#)



Would you like individual advice?

We look forward to your email to [products@ettinger.de](mailto:products@ettinger.de).

Subject to change and errors.