

Article datasheet

Wire wrap pin 0.6x15.0mm Brass tinned

Article-No.: 013.18.155

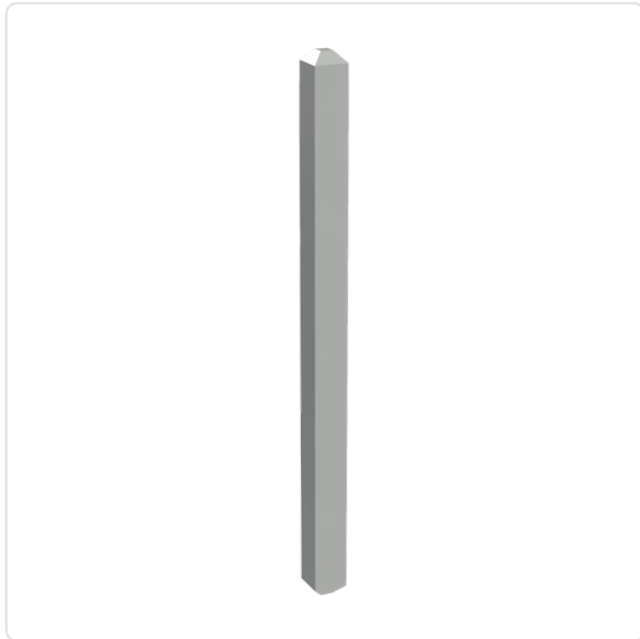
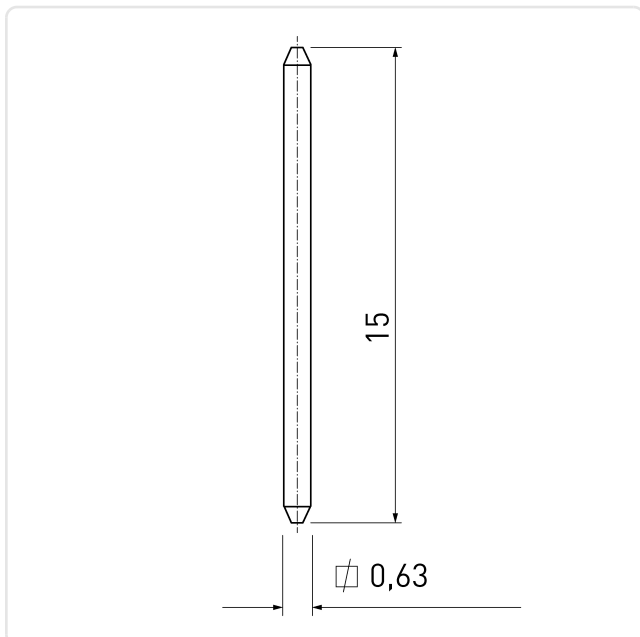


Image may be similar



Finish: Tin-Plated

Length [mm]: 15

Material: Messing

PCB Hole \varnothing [mm]: 0.8

Thickness [mm]: 0.63

Conformities:

You can find all information on the web on
our article detail page[Wire wrap pin 0.6x15.0mm Brass tinned](#)

Would you like individual advice?

We look forward to your email to products@ettinger.de.

Subject to change and errors.