

Article datasheet

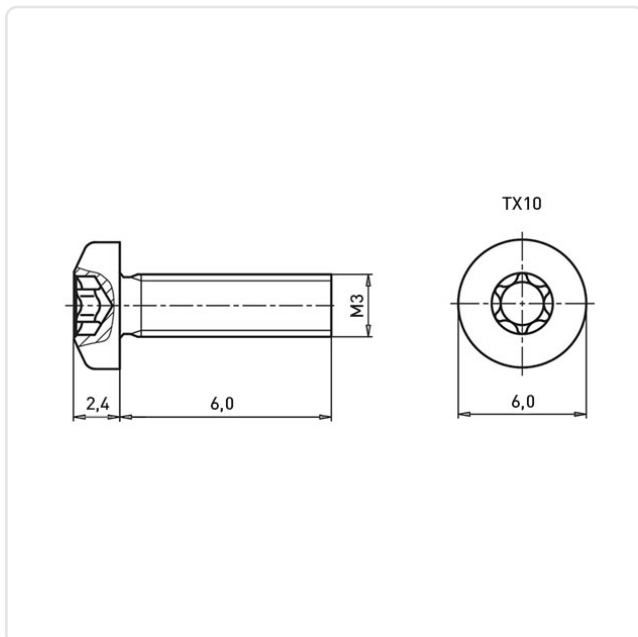
## Pan Head Screw ISO14583 M3x6 Steel 4.8 Black Zinc Plated Hexalobular

Article-No.: 001.51.320



Image may be similar

Actuator Size:	Torx T10
DIN/ISO:	ISO7045
Drive Type:	TORX
Finish:	Galvanized, Black, 5 µm, A2R
Head Diameter [mm]:	6
Head Height [mm]:	2.4
Head Shape:	Pan Head
Length [mm]:	6
Material:	Steel 4.8, lead-free
Material Group:	Steel
Thread Size:	M3
Weight:	0.63g
Conformities:	



You can find all information on the web on our article detail page

[Pan Head Screw ISO14583 M3x6 Steel 4.8 Black Zinc Plated Hexalobular](#)

Would you like individual advice?

We look forward to your email to [products@ettinger.de](mailto:products@ettinger.de).

Subject to change and errors.