

Article datasheet

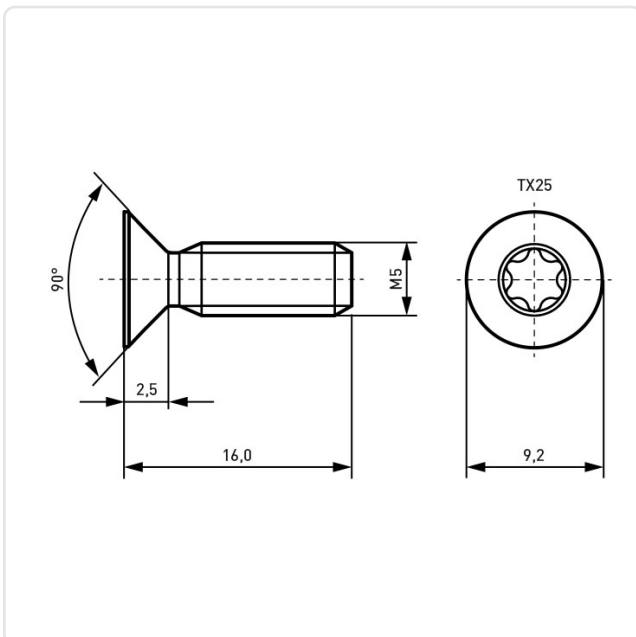
## Countersunk Screw ISO14581 M5x16 Black Galvanized A2 Stainless Steel Torx

Article-No.: 001.55.568



Image may be similar

Actuator Size:	Torx T25
DIN/ISO:	ISO7046
Drive Type:	TORX
Finish:	Galvanized, Black, 5 µm, A2R
Head Diameter [mm]:	9.2
Head Height [mm]:	2.5
Head Shape:	Countersunk Head
Length [mm]:	16
Material:	Stainless Steel AISI 304 / A2
Material Group:	Stahl rostfrei
Thread Size:	M5
Weight:	22.6g
Conformities:	



You can find all information on the web on our article detail page

[Countersunk Screw ISO14581 M5x16 Black Galvanized A2 Stainless Steel Torx](#)

Would you like individual advice?

We look forward to your email to [products@ettinger.de](mailto:products@ettinger.de).

Subject to change and errors.