

Article datasheet

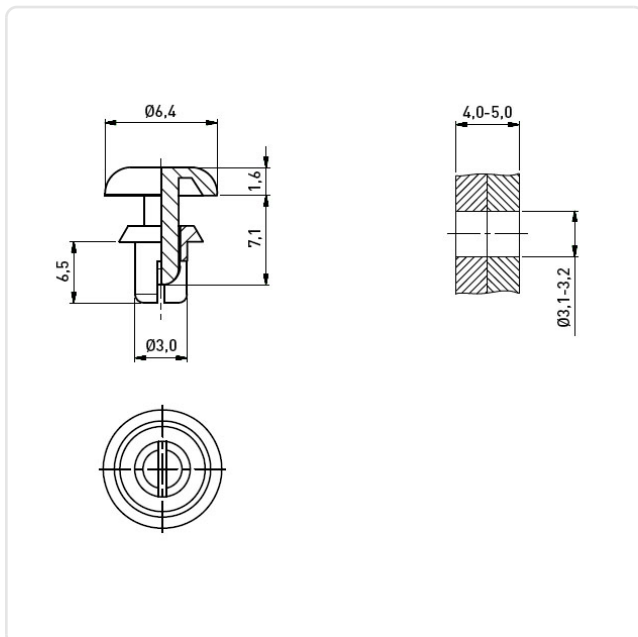
## Drive Rivet Ø3.0 | 4.0-5.0 Polyamide 6.6 black

Article-No.: 072.21.350



Image may be similar

Color:	Black
Flammability Class:	UL94-V2
Head Diameter [mm]:	6.4
Head Height [mm]:	1.6
Length [mm]:	6.5
Material:	PA 6.6
Material Group:	Plastic
Model:	removable
Mounting Hole Range [mm]:	3.1-3.2
Panel Thickness [mm]:	4,0-5,0
Rivet Diameter [mm]:	3
Weight:	0.11g
Conformities:	



You can find all information on the web on our article detail page

[Drive Rivet Ø3.0 | 4.0-5.0 Polyamide 6.6 black](#)

Would you like individual advice?

We look forward to your email to [products@ettinger.de](mailto:products@ettinger.de).

Subject to change and errors.