

Article datasheet

Countersunk Screw ISO14581 M2.5x5 A2 Plain Stainless Steel Torx

Article-No.: 001.60.212

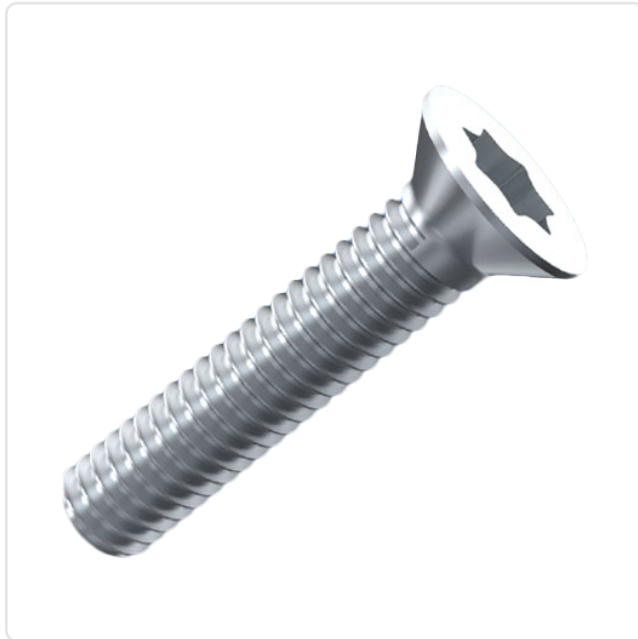
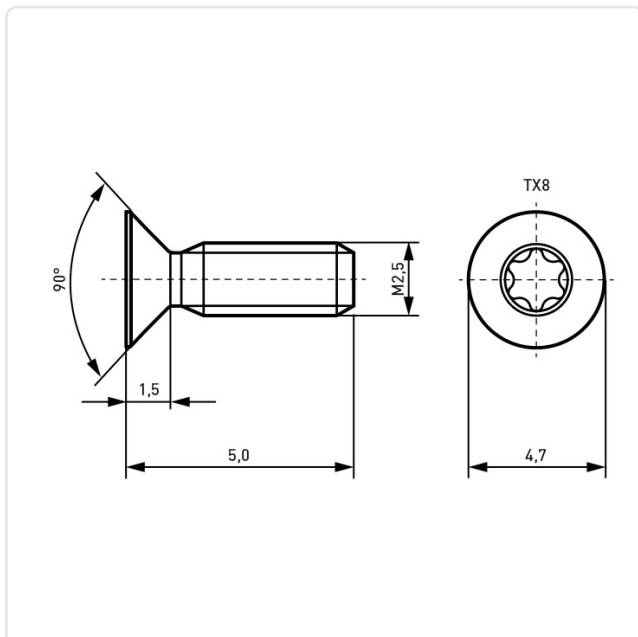


Image may be similar

Actuator Size:	Torx T8
Color:	Black
DIN/ISO:	ISO14581
Drive Type:	TORX
Finish:	Passivated, Black
Head Diameter [mm]:	4.7
Head Height [mm]:	1.5
Head Shape:	Countersunk Head
Length [mm]:	5
Material:	Stainless Steel AISI 304 / A2
Material Group:	Stainless Steel
Thread Size:	M2.5
Weight:	0.2g
Conformities:	



You can find all information on the web on our article detail page

[Countersunk Screw ISO14581 M2.5x5 A2 Plain Stainless Steel Torx](#)

Would you like individual advice?

We look forward to your email to products@ettinger.de.

Subject to change and errors.