

Article datasheet

**Set Screw DIN551/ISO4766 M6x16 PA-66 Natural Slotted Flat Point**

Article-No.: 001.40.666



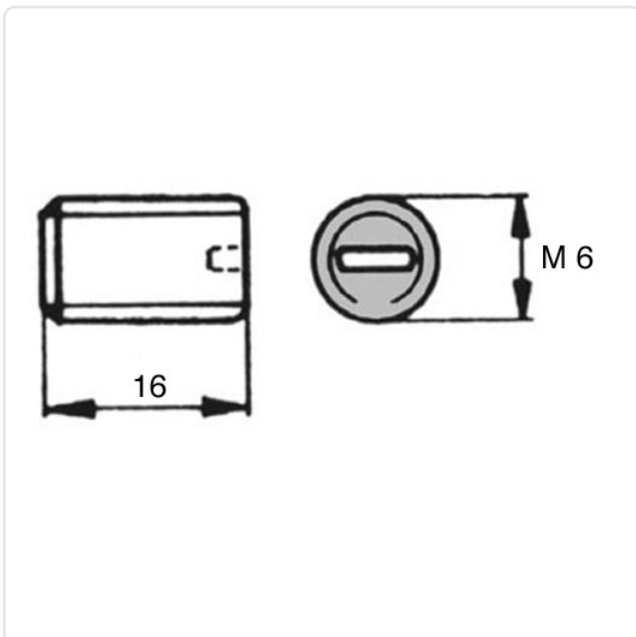
Image may be similar

Color: Natural  
DIN/ISO: ISO4766  
Drive Type: Slotted  
Flammability Class: UL94-V2  
Length [mm]: 16  
Material: PA 6.6  
Material Group: Plastic  
Point Type: Flat Point  
Thread Size: M6  
Weight: 0.11g  
Conformities:



You can find all information on the web on our article detail page

[Set Screw DIN551/ISO4766 M6x16 PA-66 Natural Slotted Flat Point](#)



Would you like individual advice?

We look forward to your email to [products@ettinger.de](mailto:products@ettinger.de).

Subject to change and errors.