

Article datasheet

PCB Support 10.0 | \varnothing 3.0 | \varnothing 4.8 Polyamide 6.6 natural

Article-No.: 006.77.210



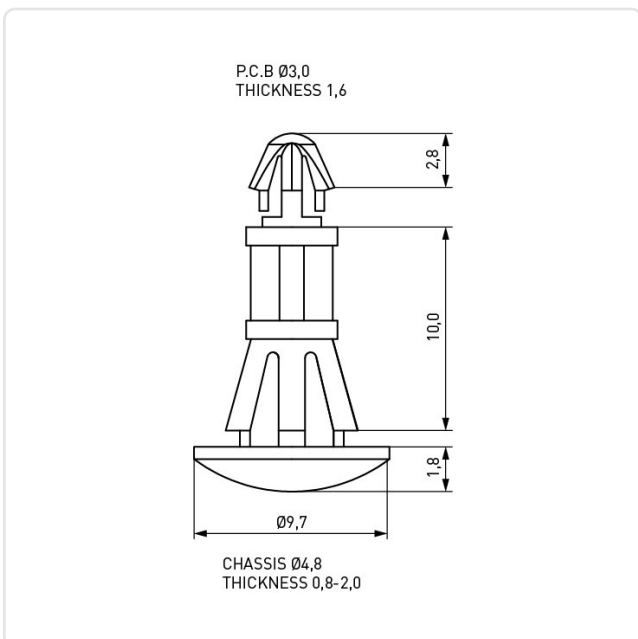
Image may be similar

Color: Natural
 Flammability Class: UL94-V2
 Length [mm]: 10
 Material: PA 6.6
 Material Group: Plastic
 PCB Hole \varnothing [mm]: 3
 PCB Thickness [mm]: 1,6
 Panel Hole \varnothing [mm]: 4,8
 Panel Thickness [mm]: 0,8-2,0
 Weight: 0.23g
 Conformities:



You can find all information on the web on our article detail page

[PCB Support 10.0 | \$\varnothing\$ 3.0 | \$\varnothing\$ 4.8 Polyamide 6.6 natural](#)



Would you like individual advice?

We look forward to your email to products@ettinger.de.

Subject to change and errors.