

Article datasheet

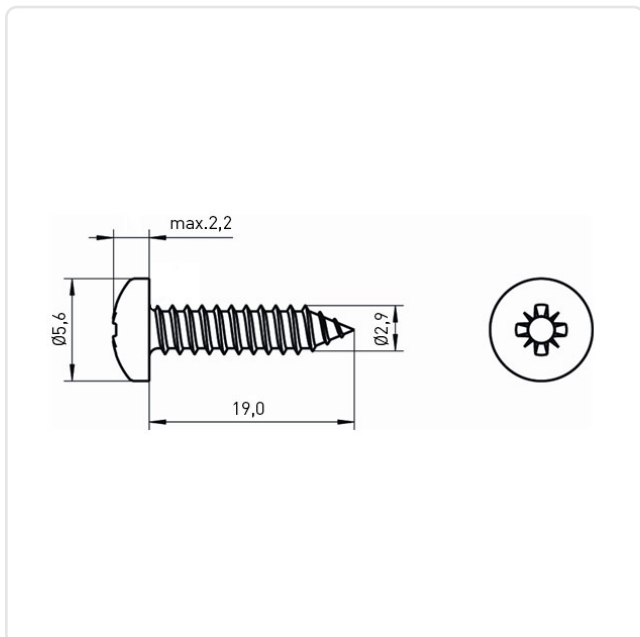
Tapping Screw DIN7981C Ø2.9x19 Galvanized Steel Cross Recess Pan Head

Article-No.: 001.27.171



Image may be similar

Actuator Size:	Pozidriv PZ1
DIN/ISO:	ISO7049
Drive Type:	Cross Recess / Pozidriv-Z
Finish:	Galvanized, Blue, 5 µm, A2K
Head Diameter [mm]:	5.6
Head Height [mm]:	2.2
Head Shape:	Pan Head
Length [mm]:	19
Material:	Steel
Material Group:	Stahl
Thread Diameter [mm]:	Ø 2.9
Weight:	0.84g
Conformities:	



You can find all information on the web on our article detail page

[Tapping Screw DIN7981C Ø2.9x19 Galvanized Steel Cross Recess Pan Head](#)

Would you like individual advice?

We look forward to your email to products@ettinger.de.

Subject to change and errors.