

Article datasheet

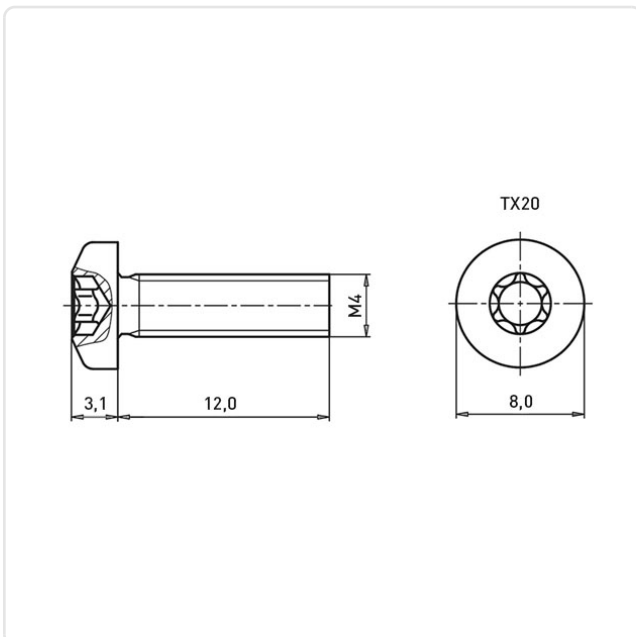
## Pan Head Screw ISO14583 M4x12 Steel 8.8 Black Zinc Plated Hexalobular

Article-No.: 001.64.450



Image may be similar

Actuator Size:	Torx T20
DIN/ISO:	ISO14583
Drive Type:	TORX
Finish:	Galvanized, Black, 5 µm, A2R
Head Diameter [mm]:	8
Head Height [mm]:	3.1
Head Shape:	Pan Head
Length [mm]:	12
Material:	Steel 8.8
Material Group:	Stahl
Thread Size:	M4
Weight:	1.71g
Conformities:	



You can find all information on the web on our article detail page

[Pan Head Screw ISO14583 M4x12 Steel 8.8 Black Zinc Plated Hexalobular](#)

Would you like individual advice?

We look forward to your email to [products@ettinger.de](mailto:products@ettinger.de).

Subject to change and errors.