

Article datasheet

## Solder Terminal Pin $\varnothing 1.3 \times 12.0$ mm Brass tinned - square press-in shaft

Article-No.: 013.14.425



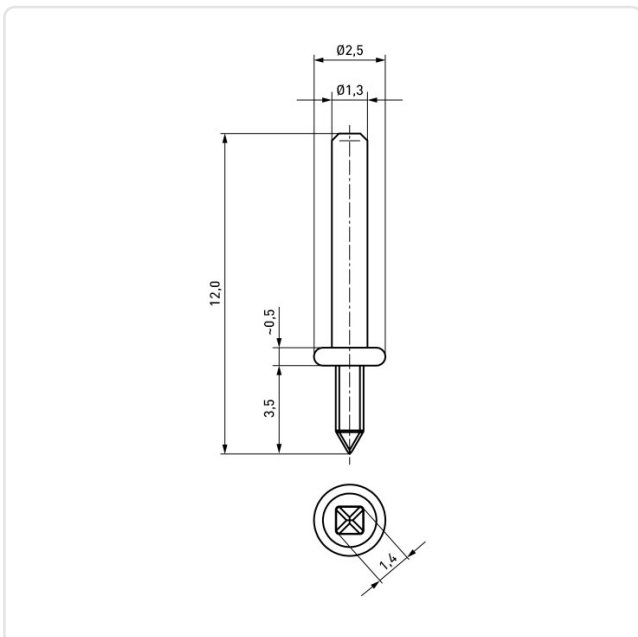
Image may be similar

Diameter [mm]:	1.3
Finish:	Tin-Plated
Length [mm]:	12
Material:	Brass CW508L / CuZn37, lead-free
Material Group:	Brass
PCB Hole $\varnothing$ [mm]:	1.3
Plug-In Length [mm]:	8
Weight:	0.15g
Conformities:	<div style="display: flex; gap: 10px;"> <div style="border: 1px solid black; padding: 2px; text-align: center;"> <span style="color: green; font-weight: bold;">Reach</span> COMPLIANT                 </div> <div style="border: 1px solid black; padding: 2px; text-align: center;"> <span style="color: green; font-weight: bold;">RoHS</span> COMPLIANT                 </div> </div>



You can find all information on the web on our article detail page

[Solder Terminal Pin  \$\varnothing 1.3 \times 12.0\$ mm Brass tinned - square press-in shaft](#)



Would you like individual advice?

We look forward to your email to [products@ettinger.de](mailto:products@ettinger.de).

Subject to change and errors.